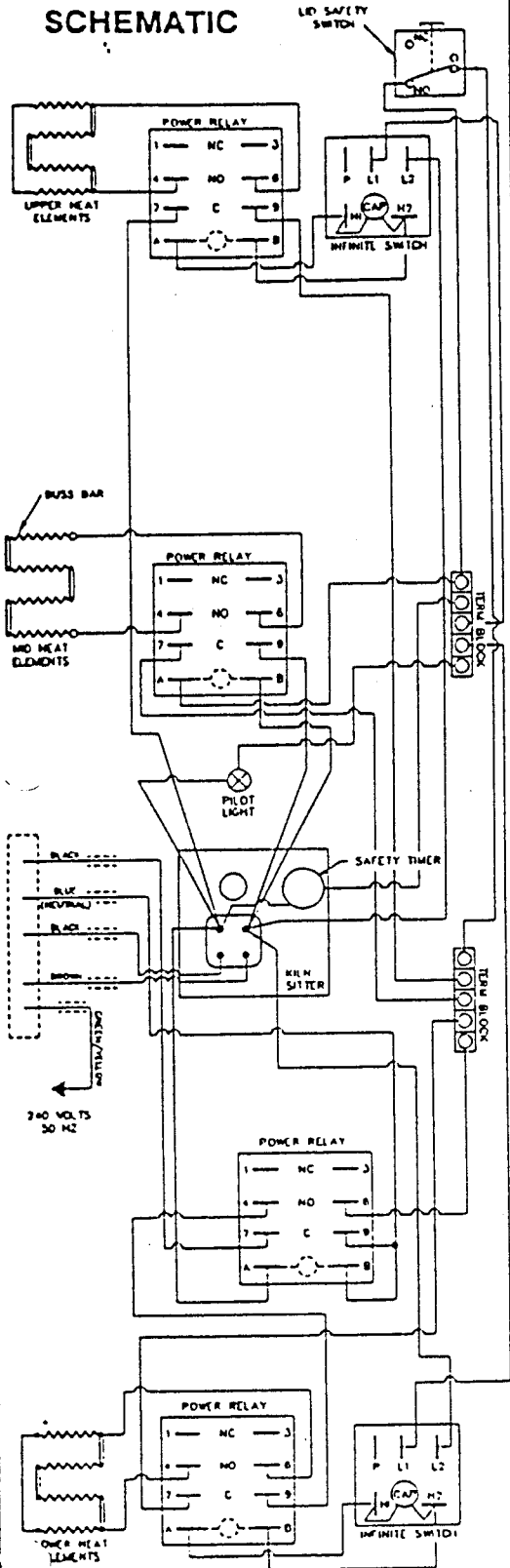
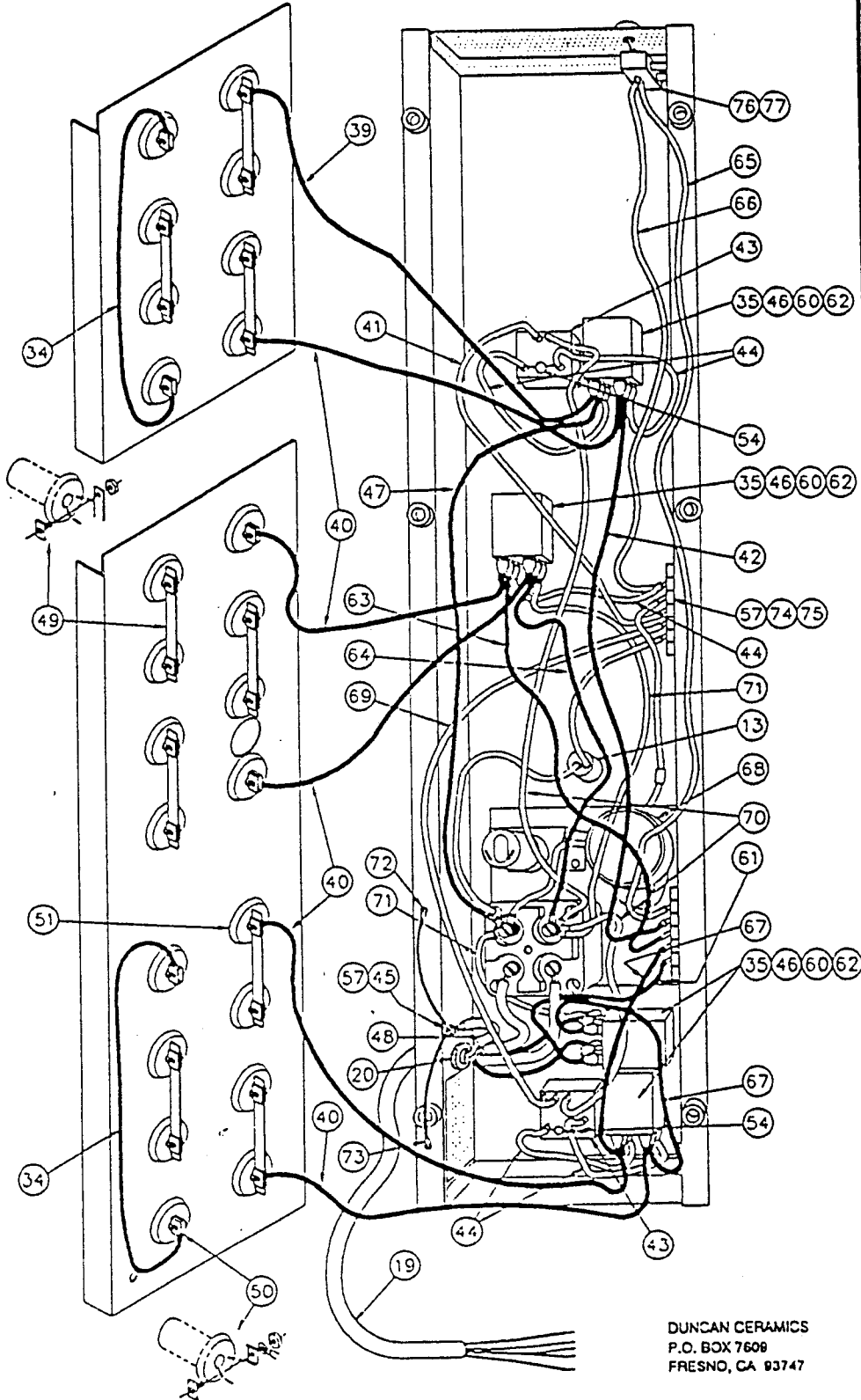


DUNCAN MODEL DB 1027-6A

ELECTRICAL SCHEMATIC



CONTROL PANEL PARTS



DUNCAN CERAMICS
P.O. BOX 7608
FRESNO, CA 93747

(SEE OPPOSITE SIDE FOR PARTS LIST)