

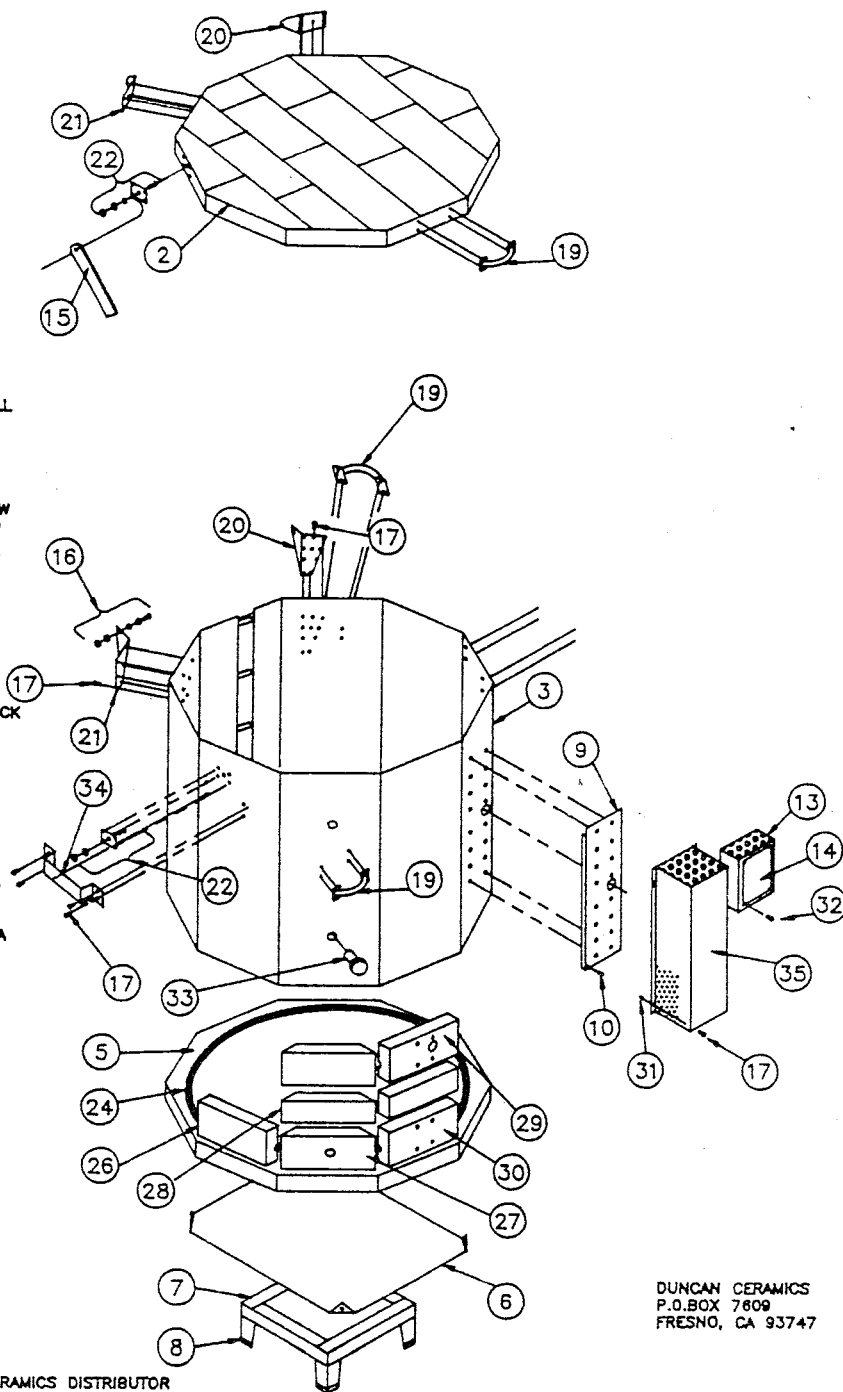
DUNCAN MODELS DE 1020-2,-4

BODY PARTS

REF PART
NO. NO.

DESCRIPTION

2.	KC 016	1020/29 BRICK LID (BANDED & COATED) WITH VENT HOLE
3.	KC 081	1020/29 CASE W/CLAMPS
5.	KC 003	1020/29 BRICK BOTTOM
6.	KP 303	1020/29 BASE PLATE
7.	KC 070	1020/29 STAND W/FEET
8.	KE 030	STAND FEET
9.	KP 028	820,1020/29 HEAT SHIELD
10.	KE 302	#8 X 1" SHEET METAL SCREW
11.	KC 491	DE 1020 CONTROL PANEL SHELL
12.	KC 354	DE THERMOCOUPLE ASSEMBLY
13.	KC 493	DE CONTROL BOX SHELL
14.	KC 494	DE ELECTRONIC CONTROLLER
15.	KC 112	1020/29 LID SUPPORT
16.	KC 222	HINGE PIVOT KIT
17.	KE 301	#8 X 1/2" SHEET METAL SCREW
18.	KM 333	1020/29 POWER SUPPLY CORD
19.	KE 009	HANDLE
20.	KC 203	1020/29 RIGHT HINGE W/PIVOT
21.	KC 213	1020/29 LEFT HINGE W/PIVOT
22.	KC 115	LID SUPPORT MOUNTING KIT
24.	KE 381	DE 1020-2 ELEMENT, 240V
	OR	
	KE 382	DE 1020-4 ELEMENT, 208V
26.	KB 003	1020/29 GROOVED BRICK
27.	KB 023	1020/29 PEEPHOLE BRICK
28.	KB 043	1020/29 HALF BRICK
29.	KB 069	DE 1020/29 THERMOCOUPLE BRICK
30.	KB 013	1020/29 TERMINAL BRICK
31.	KE 341	1/8" STANDOFF
32.	KE 303	#8 X 1/2" SCREW
33.	KA 030	PEEPHOLE PLUG
34.	KC 117	LID SUPPORT GUARD
35.	KC 493	DE CONTROL BOX SHELL
36.	KE 355	DE THERMOCOUPLE
37.	KC 389	14" CONNECTING WIRE 12GA
38.	KC 500	DE 19" CONNECTING WIRE 12GA
40.	KC 501	DE 12" CONNECTING WIRE 12GA
41.	KC 502	DE 9" CONNECTING WIRE 12GA
42.	KC 482	DE JUMPPER WIRE 16GA
43.	KC 483	DE 4" WIRE-TRANSFORMER 16GA
45.	KE 358	DE THERMOCOUPLE WIRE 16"
46.	KC 503	DE 240V-24VAC TRANSFORMER
47.	KC 504	DE 240V-24V RELAY
48.	KM 383	4" FIBERGLASS SLEEVING
49.	KC 309	STANDARD BUSS BAR ASSEMBLY
50.	KC 319	U-TERMINAL ASSEMBLY
51.	KE 040	INSULATOR
52.	KC 505	DE QUICK DISCONNECT
53.	KC 506	DE 6" CONNECTING WIRE 12GA



DUNCAN CERAMICS
P.O. BOX 7809
FRESNO, CA 93747

ORDER PARTS FORM YOUR AUTHORIZED DUNCAN CERAMICS DISTRIBUTOR