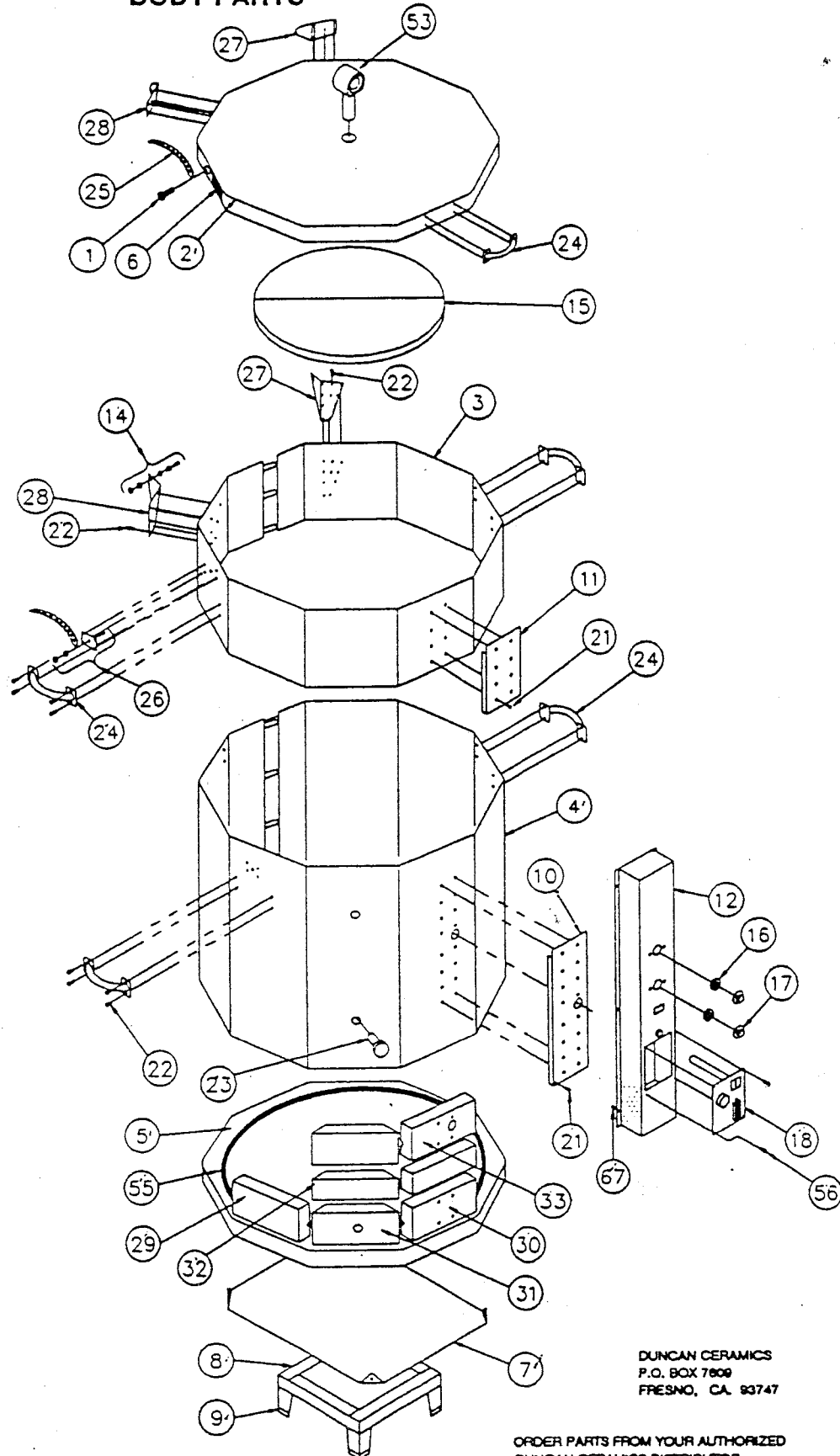


DUNCAN MODEL EA 1029-6L

BODY PARTS

- | REF. NO. | PART NO. | DESCRIPTION |
|----------|----------|---------------------------------|
| 1. | KE 304 | #8-32 x 3/4" Machine Screw |
| 2. | KC 019 | Fiber Lid w/Band |
| 3. | KC 048 | Collar Case w/Clamps |
| 4. | KC 082 | Case w/clamps |
| 5. | KC 006 | Fiber Bottom |
| 6. | KE 045 | Case Clamp |
| 7. | KP 303 | Base Plate |
| 8. | KC 070 | Stand w/Feet |
| 9. | KE 030 | Stand Feet |
| 10. | KP 028 | 820, 1020/29 Heat Shield |
| 11. | KP 024 | Collar Heat Shield |
| 12. | KC 059 | 1029 Control Panel Shell |
| 13. | KA 183 | EA Pilot Light |
| 14. | KC 222 | Hinge Pivot Kit |
| 15. | KA 116 | 1020/29 Hearth Plate (EA only) |
| 16. | KM 302 | Pal Nut |
| 17. | KM 319 | Switch Knob, White |
| 18. | KM 206 | Klin-Sitter w/Safety Timer |
| 19. | KM 333 | 1020/29 Power Supply Cord |
| 20. | KE 343 | 1020/29 Cord Strain Relief |
| 21. | KE 302 | #8 x 1" Sheet Metal Screw |
| 22. | KE 301 | #8 x 1/2" Sheet Metal Screw |
| 23. | KA 030 | Peephole Plug |
| 24. | KE 009 | Handle |
| 25. | KE 104 | 1029/29 Lid Chain |
| 26. | KC 338 | Lid Chain Mounting Plate Kit |
| 27. | KC 203 | Right Hinge w/Pivot |
| 28. | KC 213 | Left Hinge w/Pivot |
| 29. | KB 003 | Grooved Brick |
| 30. | KB 013 | Terminal Brick |
| 31. | KB 023 | Peephole Brick |
| 32. | KB 043 | Half Brick |
| 33. | KB 053 | Klin-Sitter Brick |
| 34. | KE 096 | 2 Pole Terminal Strip |
| 35. | KM 324 | Power Relay |
| 36. | KM 325 | 4300 Fixed Interval Timer |
| 37. | KM 326 | 4600 Repeat Cycle Timer |
| 38. | KE 307 | #8-32 x 1 1/4" Machine Screw |
| 39. | KC 138 | 14" Connecting Wire, 12 Gauge |
| 40. | KC 139 | 8" Connecting Wire, 12 Gauge |
| 41. | KE 329 | #8-32 Nut w/Lock Washer |
| 42. | KC 169 | 10" Connecting Wire, 16 Gauge |
| 43. | KM 301 | Infinite Switch w/Pal Nut 208V |
| 44. | KC 418 | #8, 4 Wire Combo, 16 Gauge |
| 45. | KC 172 | 9, 6, 4, 8 Wire Combo, 16 Gauge |
| 46. | KC 173 | 8, 4 Wire Combo, 16 Gauge |
| 47. | KC 177 | 8" Connecting Wire, 12 Gauge |
| 48. | KM 383 | 4" Fiberglass Sleeving |
| 49. | KC 309 | Standard Bus Bar Assembly |
| 50. | KC 319 | U-Terminal Assembly |
| 51. | KE 080 | Insulator |
| 52. | KM 361 | 3 Position Switch |
| 53. | KA 031 | Lid Vent Hole Plug |
| 54. | KC 180 | 20" Connecting Wire, 12 Gauge |
| 55. | KE 220 | 1020/29 Element (220V) |
| 56. | KE 303 | #8 x 1/2" Sheet Metal Screw |
| 57. | KE 311 | #10-32 x 3/8" Machine Screw |
| 58. | KC 179 | 16" Connecting Wire, 12 Gauge |
| 59. | KE 314 | #8-32 x 1/2" Machine Screw |
| 60. | KE 321 | #10 Star Washer |
| 61. | KE 322 | #8 Star Washer |
| 62. | KC 419 | 15" Connecting Wire, 16 Gauge |
| 63. | KC 182 | 8" Connecting Wire, 12 Gauge |
| 64. | KE 332 | #10-32 Hex Nut |
| 65. | KE 333 | #8-32 Hex Nut |
| 66. | KE 341 | 1/8" Standoff |



DUNCAN CERAMICS
P.O. BOX 7809
FRESNO, CA. 93747

ORDER PARTS FROM YOUR AUTHORIZED
DUNCAN CERAMICS DISTRIBUTOR

LX 936