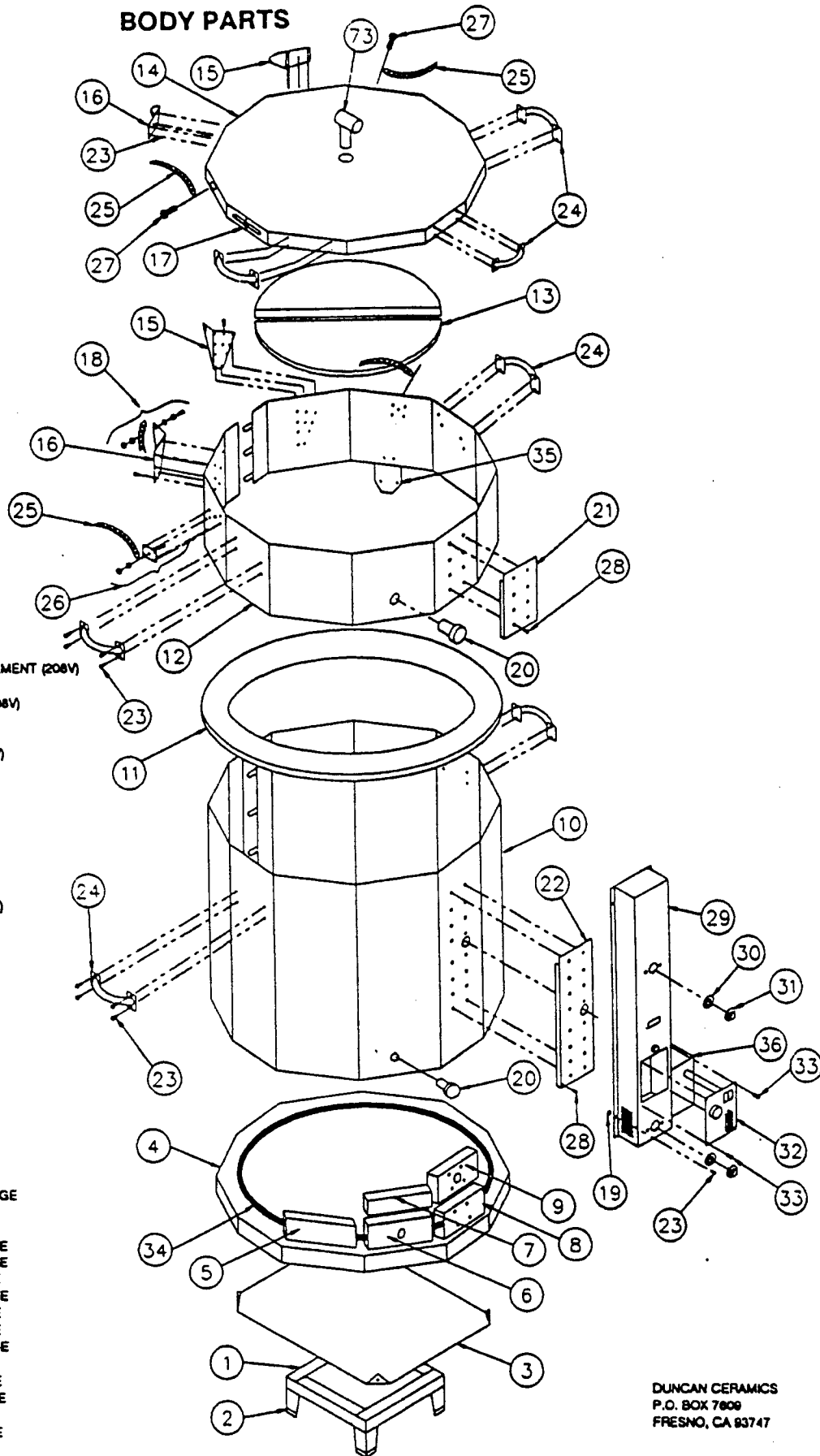


# DUNCAN MODEL EA 1229-4, 3 PHASE

## BODY PARTS

| REF NO. | PART NO. | DESCRIPTION                              |
|---------|----------|--|
| 1.      | KC 088   | EA 1229 STAND W/FEET                     |
| 2.      | KE 030   | STAND FEET                               |
| 3.      | KP 304   | 1229 BASE PLATE                          |
| 4.      | KC 009   | 1229 FIBER BOTTOM                        |
| 5.      | KB 004   | 1229 GROOVED BRICK                       |
| 6.      | KB 024   | 1229 PEEPHOLE BRICK                      |
| 7.      | KB 044   | 1229 HALF BRICK                          |
| 8.      | KB 014   | 1229 TERMINAL BRICK                      |
| 9.      | KB 064   | 1229 KLN SITTER BRICK                    |
| 10.     | KC 087   | EA 1229 LOWER CASE W/CLAMPS              |
| 11.     | KP 314   | 1/4" THICK FIBER GASKET (1229)           |
| 12.     | KC 086   | EA 1229 UPPER CASE W/CLAMPS              |
| 13.     | KA 114   | 1229 HALF SHELL                          |
| 14.     | KC 050   | 1229 FIBER LID W/BAND                    |
| 15.     | KC 220   | 1229 RIGHT HINGE ASSEMBLY                |
| 16.     | KC 221   | 1229 LEFT HINGE ASSEMBLY                 |
| 17.     | KE 045   | CASE CLAMP                               |
| 18.     | KC 222   | HINGE PIVOT KIT                          |
| 19.     | KE 341   | 1/8" STANDOFF                            |
| 20.     | KA 032   | PEEPHOLE PLUG-3/4"                       |
| 21.     | KP 024   | COLLAR HEAT SHIELD                       |
| 22.     | KP 029   | 1229 HEAT SHIELD                         |
| 23.     | KE 301   | # 8 X 1/2" SHEET METAL SCREW             |
| 24.     | KE 009   | HANDLE                                   |
| 25.     | KE 105   | 1229 LID CHAIN                           |
| 26.     | KC 339   | LID MOUNTING PLATE KIT                   |
| 27.     | KE 304   | # 8-32 X 3/4" MACHINE SCREW              |
| 28.     | KE 302   | # 8 X 1" SHEET METAL SCREW               |
| 29.     | KC 086   | EA 1229-4 CONTROL PANEL SHELL            |
| 30.     | KM 302   | PAL NUT                                  |
| 31.     | KM 319   | SWITCH KNOB-EA KULNS                     |
| 32.     | KM 208   | EA KLN-SITTER W/TIMER (240V)             |
| 33.     | KE 303   | # 8 X 1/2" SHEET METAL SCREW             |
| 34.     | KE 268   | 1229-4 TOP OR BOTTOM BANK ELEMENT (208V) |
| 35.     | KE 269   | 1229-4 MIDDLE BANK ELEMENT (208V)        |
| 36.     | KE 110   | LID LATCH                                |
| 37.     | KP 030   | JUNCTION BOX                             |
| 38.     | KM 300   | INFINITE SWITCH W/PAL NUT (240V)         |
| 39.     | KM 382   | CAPACITOR ASSM. #2                       |
| 40.     | KM 324   | POWER RELAY (240V)                       |
| 41.     | KE 086   | 2 POLE TERMINAL STRIP                    |
| 42.     | KM 361   | 3 POSITION SWITCH                        |
| 43.     | KM 380   | CONTROL RELAY (240V)                     |
| 44.     | KP 031   | TERMINAL BLOCK, 3 POLE                   |
| 45.     | KP 032   | 1" INSULATED CHASE NIPPLE                |
| 46.     | KM 326   | 4800 REPEAT CYCLE TIMER (240V)           |
| 47.     | KM 325   | 4300 FIXED INTERVAL TIMER (240V)         |
| 48.     | KE 348   | # 8-32 X 3/4" MACHINE SCREW              |
| 49.     | KC 309   | STANDARD BUSS BAR ASSEMBLY               |
| 50.     | KC 319   | U-TERMINAL ASSEMBLY                      |
| 51.     | KE 314   | # 8-32 X 1/2" MACHINE SCREW              |
| 52.     | KE 322   | # 8 STAR WASHER                          |
| 53.     | KE 333   | # 8-32 HEX NUT                           |
| 54.     | KE 060   | INSULATOR                                |
| 55.     | KE 307   | # 8-32 X 1-1/4" MACHINE SCREW            |
| 56.     | KE 329   | # 8-32 HEX NUT W/WASHER                  |
| 57.     | KE 311   | # 10-32 3/8" MACHINE SCREW               |
| 58.     | KE 321   | # 10 STAR WASHER                         |
| 59.     | KE 332   | # 10-32 HEX NUT                          |
| 60.     | KC 139   | 9" CONNECTING WIRE, 12 GAUGE             |
| 61.     | KC 183   | EA PILOT LIGHT                           |
| 62.     | KC 187   | 6" CONNECTING WIRE, 18 GAUGE             |
| 63.     | KC 184   | 22, 4, WIRE COMBO, 18 GAUGE              |
| 64.     | KC 183   | 12, 6, 12, 8 WIRE COMBO, 18 GAUGE        |
| 65.     | KC 182   | 22, 8 WIRE COMBO, 18 GAUGE               |
| 66.     | KC 181   | 12, 8, 9 WIRE COMBO, 18 GAUGE            |
| 67.     | KC 185   | 25" CONNECTING WIRE, 18 GAUGE            |
| 68.     | KC 186   | 22" CONNECTING WIRE, 18 GAUGE            |
| 69.     | KC 182   | 6" CONNECTING WIRE, 12 GAUGE             |
| 70.     | KC 178   | 18" CONNECTING WIRE, 12 GAUGE            |
| 71.     | KC 168   | 6" CONNECTING WIRE, 16 GAUGE             |
| 72.     | KC 177   | 6" CONNECTING WIRE, 12 GAUGE             |
| 73.     | KC 178   | 14" CONNECTING WIRE, 12 GAUGE            |
| 74.     | KA 031   | LID VENT PLUG                            |
| 75.     | KC 378   | 9" CONNECTING WIRE, 18 GAUGE             |
| 76.     | KC 416   | 7" CONNECTING WIRE, 8 GAUGE              |
| 77.     | KC 417   | 7" CONNECTING WIRE, 8 GAUGE              |
| 78.     | KC 415   | 8" CONNECTING WIRE, 12 GAUGE             |
| 79.     | KP 317   | 1 POLE TERMINAL STRIP                    |
| 80.     | KC 384   | 9" CONNECTING WIRE, 12 GAUGE             |



DUNCAN CERAMICS  
P.O. BOX 7809  
FRESNO, CA 93747

ORDER PARTS FROM YOUR AUTHORIZED DUNCAN CERAMICS DISTRIBUTOR