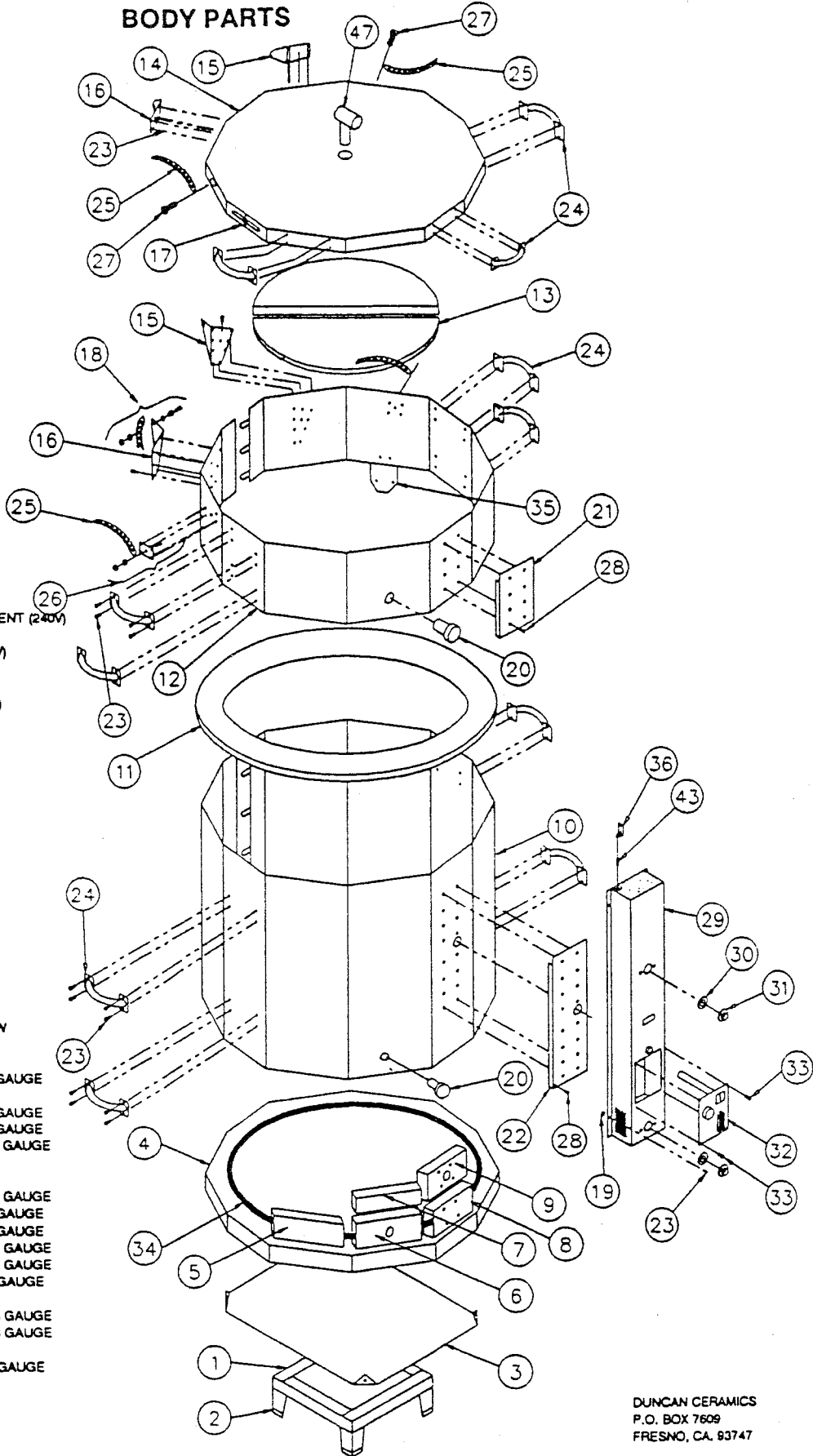


# DUNCAN EXPORT MODEL EA 1229-6A

REF PART  
NO. NO. DESCRIPTION

1. KC 089 EA 1229 STAND W/FEET
2. KE 030 STAND FEET
3. KP 304 1229 BASE PLATE
4. KC 009 1229 FIBER BOTTOM
5. KB 004 1229 GROOVED BRICK
6. KB 024 1229 PEEPHOLE BRICK
7. KB 044 1229 HALF BRICK
8. KB 014 1229 TERMINAL BRICK
9. KB 054 1229 KILN SITTER BRICK
10. KC 087 EA 1229 LOWER CASE W/CLAMPS
11. KP 314 1/4" THICK FIBER GASKET (1229)
12. KC 086 EA 1229 UPPER CASE W/CLAMPS
13. KA 114 1229 HALF SHELF
14. KC 050 1229 FIBER LID W/BAND
15. KC 220 1229 RIGHT HINGE ASSEMBLY
16. KC 221 1229 LEFT HINGE ASSEMBLY
17. KE 045 CASE CLAMP
18. KC 222 HINGE PIVOT KIT
19. KE 341 1/8" STANDOFF
20. KA 030 PEEPHOLE PLUG
21. KP 024 COLLAR HEAT SHIELD
22. KP 029 1229 HEAT SHIELD
23. KE 301 #8 X 1/2" SHEET METAL SCREW
24. KE 009 HANDLE
25. KE 105 1229 LID CHAIN
26. KC 339 LID MOUNTING PLATE KIT
27. KE 304 #8-32 X 3/4" MACHINE SCREW
28. KE 302 #8 X 1" SHEET METAL SCREW
29. KC 068 EA 1229 CONTROL PANEL SHELL
30. KM 302 PAL NUT
31. KM 319 SWITCH KNOB-EA KILNS
32. KM 206 EA KILN-SITTER W/TIMER (240V)
33. KE 303 #8 X 1/2" SHEET METAL SCREW
34. KE 241 1229 TOP OR BOTTOM BANK ELEMENT (240V)  
OR
35. KE 236 1229 MIDDLE BANK ELEMENT (240V)
36. KE 110 LID LATCH
37. KE 010 SWITCH BRACKET
38. KM 300 INFINITE SWITCH W/PAL NUT (240V)
39. KM 362 CAPACITOR ASSM. #2
40. KM 324 POWER RELAY (240V)
41. KE 101 TERMINAL BLOCK ASSEMBLY
42. KM 361 3 POSITION SWITCH
43. KM 380 CONTROL RELAY (240V)
44. KE 111 TEFLON SWITCH ACTUATOR KIT
45. KM 343 CORD STRAIN RELIEF
46. KM 326 4800 REPEAT CYCLE TIMER (240V)
47. KM 325 4300 FIXED INTERVAL TIMER (240V)
48. KA 031 LID VENT PLUG
49. KC 308 STANDARD BUSS BAR ASSEMBLY
50. KC 319 U-TERMINAL ASSEMBLY
51. KE 314 #8-32 X 1/2" MACHINE SCREW
52. KE 322 #6 STAR WASHER
53. KE 333 #8-32 HEX NUT
54. KE 080 INSULATOR
55. KE 307 #8-32 X 1-1/4" MACHINE SCREW
56. KE 329 #8-32 HEX NUT W/WASHER
57. KE 315 #10-32 1/8" TAMPERPROOF SCREW
58. KE 321 #10 STAR WASHER
59. KE 332 #10-32 HEX NUT
60. KC 136 6" (203CM) CONNECTING WIRE, 12 GAUGE
61. KC 111 EA PILOT LIGHT
62. KC 167 6" (152CM) CONNECTING WIRE, 16 GAUGE
63. KC 177 6" (152CM) CONNECTING WIRE, 12 GAUGE
64. KC 182 10" (254CM) CONNECTING WIRE, 12 GAUGE
65. KC 184 22, 4, WIRE COMBO, 16 GAUGE
66. KC 108 12, 6 WIRE COMBO, 16 GAUGE
67. KC 186 22" (56CM) CONNECTING WIRE, 16 GAUGE
68. KC 378 6" (203CM) CONNECTING WIRE, 16 GAUGE
69. KC 182 6" (152CM) CONNECTING WIRE, 12 GAUGE
70. KC 138 14" (35CM) CONNECTING WIRE, 12 GAUGE
71. KC 179 18" (40CM) CONNECTING WIRE, 12 GAUGE
72. KC 175 6" (152CM) CONNECTING WIRE, 12 GAUGE
73. KC 108 14, 9 WIRE COMBO, 16 GAUGE
74. KC 105 22" (56CM) CONNECTING WIRE, 16 GAUGE
75. KC 102 14" (40CM) CONNECTING WIRE, 16 GAUGE
76. KC 101 4, 4 WIRE COMBO, 16 GAUGE
77. KC 168 6" (152CM) CONNECTING WIRE, 16 GAUGE
78. KM 320 1029-6 POWER SUPPLY CORD
79. KM 382 5 1/2" LG. FIBERGLASS SLEEVING
80. KC 150 9" (230CM) GROUNDING WIRE
81. KC 153 25" (63CM) GROUNDING WIRE
82. KC 364 9" CONNECTING WIRE, 12 GAUGE

## BODY PARTS



DUNCAN CERAMICS  
P.O. BOX 7609  
FRESNO, CA. 93747

ORDER PARTS FROM YOUR AUTHORIZED DUNCAN CERAMICS DISTRIBUTOR