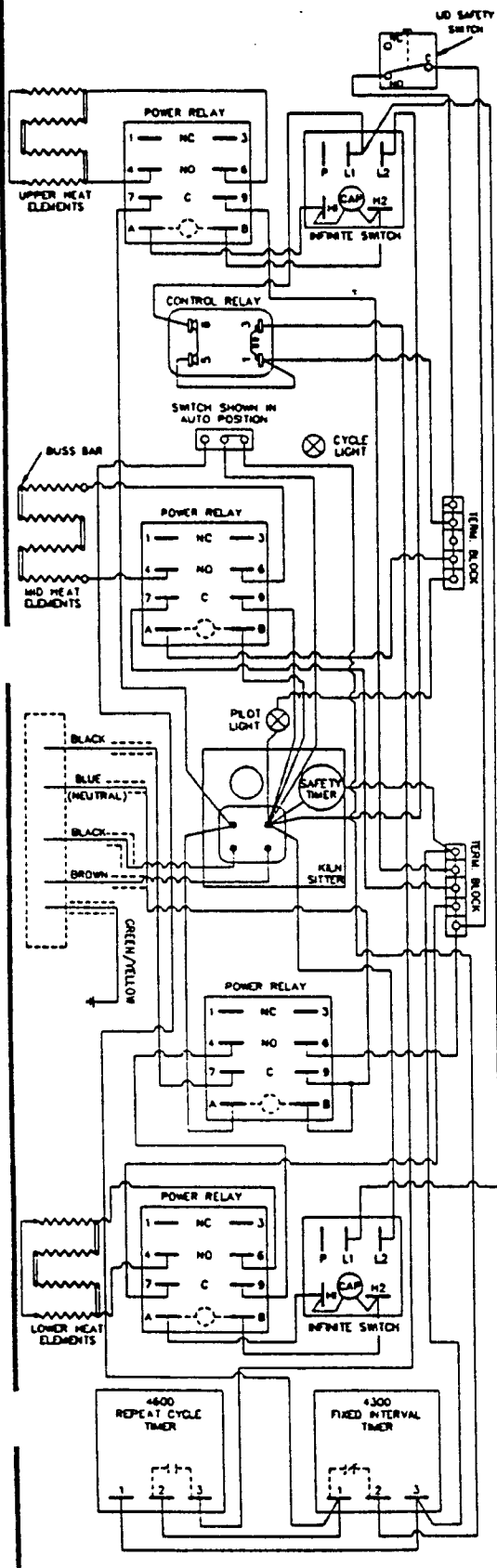
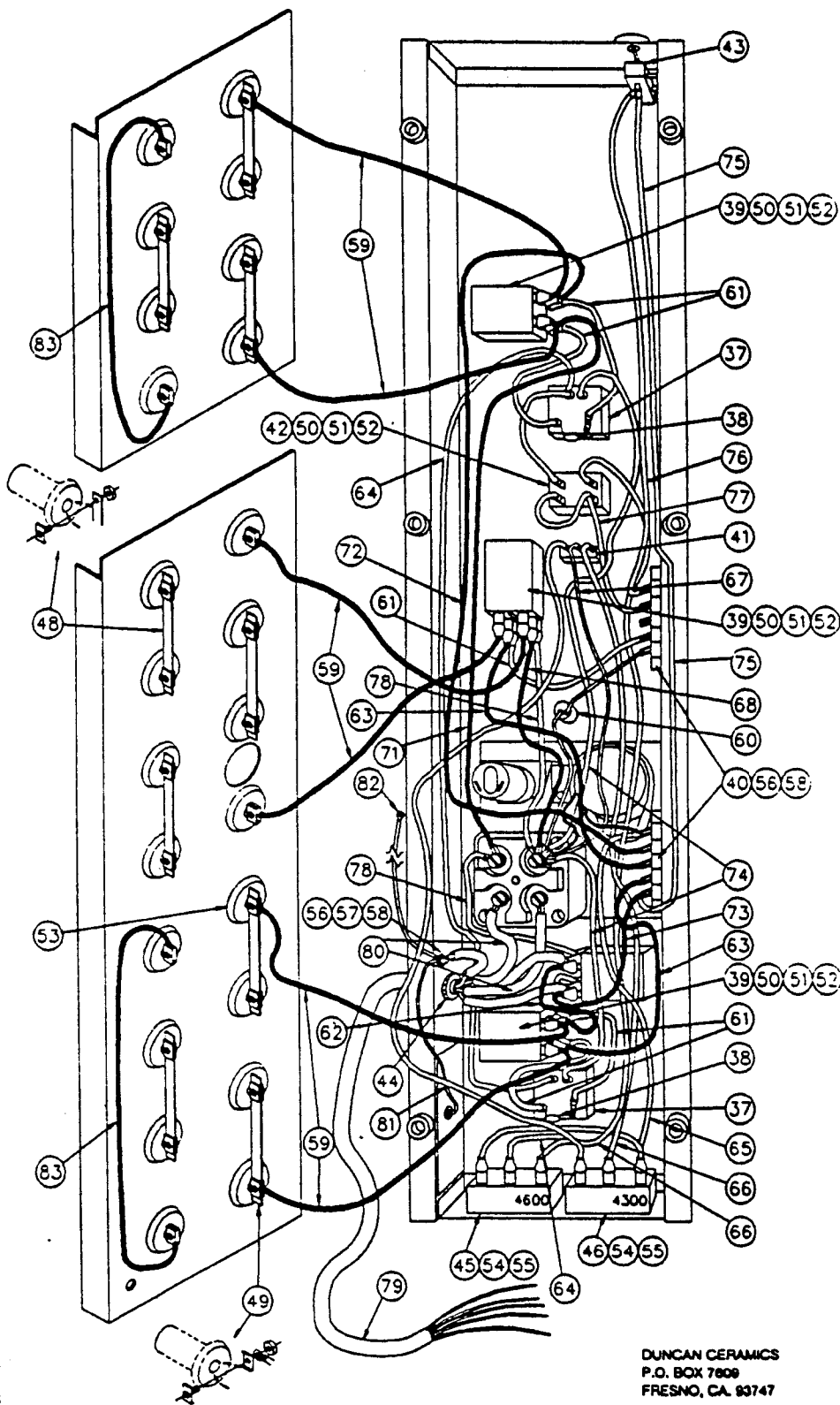


DUNCAN EXPORT MODEL EA 1229-6A

ELECTRICAL SCHEMATIC



CONTROL PANEL PARTS



DUNCAN CERAMICS
P.O. BOX 7600
FRESNO, CA. 93747

(SEE OPPOSITE SIDE FOR PARTS LIST)