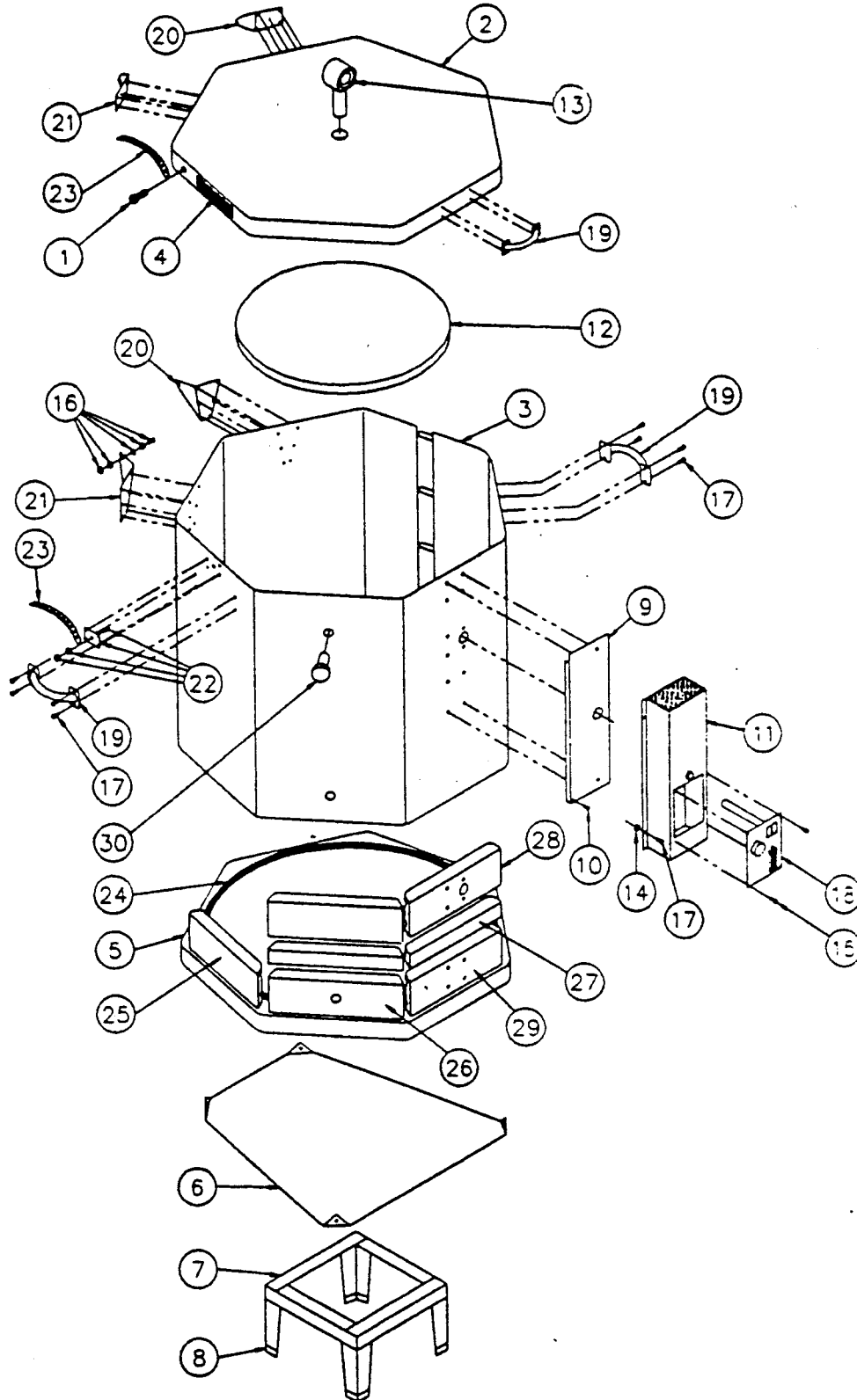


# DUNCAN MODEL EA 716-6L

## BODY PARTS

- | REF. NO. | PART NO. | DESCRIPTION                  |
|----------|----------|------------------------------|
| 1.       | KE 304   | #8-32 x 3/4" Machine Screw   |
| 2.       | KC 017   | 716 Fiber Lid w/Band         |
| 3.       | KC 079   | 716 Case w/Clamps            |
| 4.       | KE 045   | Case Clamp                   |
| 5.       | KC 004   | 716 Fiber Bottom             |
| 6.       | KP 301   | 716 Base Plate               |
| 7.       | KC 068   | 716 Stand w/Feet             |
| 8.       | KE 030   | Stand Feet                   |
| 9.       | KP 021   | 716 Heat Shield              |
| 10.      | KE 302   | #8 x 1" Sheet Metal Screw    |
| 11.      | KC 038   | EA 716 Control Panel Shell   |
| 12.      | KA 116   | 716 Hearth Plate             |
| 13.      | KA 031   | Lid Vent Hole Plug           |
| 14.      | KE 341   | 1/8" Standoff                |
| 15.      | KE 303   | #6 x 1/2" Sheet Metal Screw  |
| 16.      | KC 222   | Hinge Pivot Kit              |
| 17.      | KE 301   | #8 x 1/2" Sheet Metal Screws |
| 18.      | KM 208   | Kin-Sitter with Safety Timer |
| 19.      | KE 009   | Handle                       |
| 20.      | KC 201   | 716 Right Hinge w/ Pivot     |
| 21.      | KC 211   | 716 Left Hinge w/ Pivot      |
| 22.      | KC 339   | Lid Chain Mounting Plate     |
| 23.      | KE 102   | 716 Lid Chain                |
| 24.      | KE 203   | 716 Element (220V)           |
| 25.      | KB 001   | 716 Grooved Brick            |
| 26.      | KB 021   | 716 Peephole Brick           |
| 27.      | KB 041   | 716 Half Brick               |
| 28.      | KB 031   | 716 Kin-Sitter Brick         |
| 29.      | KB 011   | 716 Terminal Brick           |
| 30.      | KA 030   | Peephole Plug                |



DUNCAN CERAMICS  
 P.O. BOX 7609  
 RESNO, CA. 93747

ORDER PARTS FROM YOUR AUTHORIZED DUNCAN CERAMICS DISTRIBUTOR.