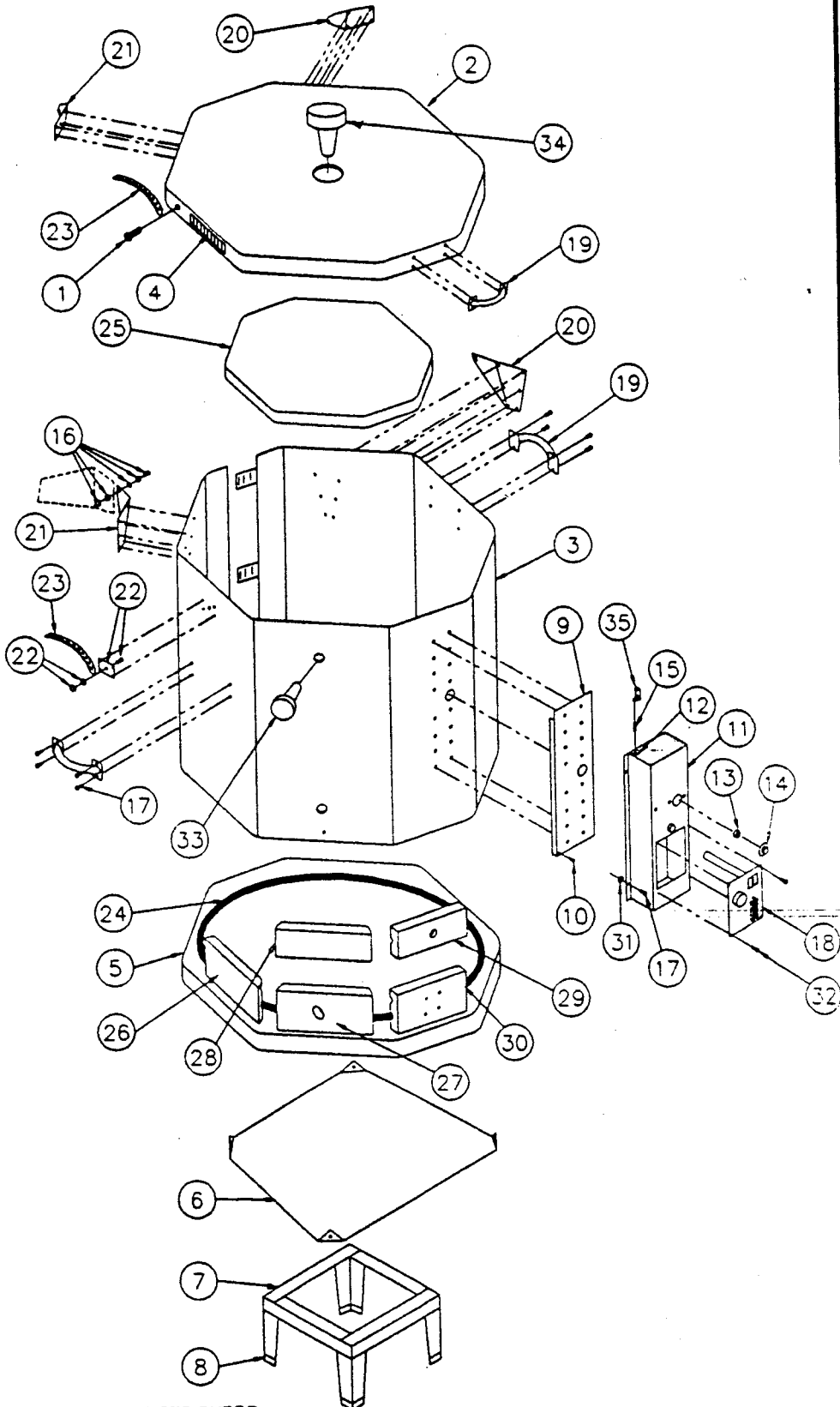


# DUNCAN EXPORT MODEL EA 820-6G

## BODY PARTS

- | REF. NO. | PART NO. | DESCRIPTION                       |
|----------|----------|-----------------------------------|
| 1.       | KE 304   | #8-32 x 3/4" Machine Screw        |
| 2.       | KC 018   | 820 Fiber Lid w/Band              |
| 3.       | KC 047   | 820 Case w/Clamps                 |
| 4.       | KE 045   | Case Clamp                        |
| 5.       | KC 005   | 820 Fiber Bottom                  |
| 6.       | KP 302   | 820 Base Plate                    |
| 7.       | KC 066   | 820 Stand w/Feet                  |
| 8.       | KE 030   | Stand Feet                        |
| 9.       | KP 028   | 820, 1020/29 Heat Shield          |
| 10.      | KE 302   | #8 x 1" Sheet Metal Screw         |
| 11.      | KC 091   | EA 820-6/8 Control Panel Shell    |
| 12.      | KE 011   | Lid Switch Guide                  |
| 13.      | KM 302   | Pal Nut                           |
| 14.      | KM 310   | EA Switch Knob                    |
| 15.      | KE 111   | Teflon Switch Actuator Kit        |
| 16.      | KC 222   | Hinge Pivot Kit                   |
| 17.      | KE 301   | #8 x 1/2" Sheet Metal Screws      |
| 18.      | KM 210   | EA Kiln-Sitter w/Timer & Solenoid |
| 19.      | KE 009   | Handle                            |
| 20.      | KC 204   | 820 Right Hinge w/ Pivot          |
| 21.      | KC 214   | 820 Left Hinge w/ Pivot           |
| 22.      | KC 339   | Lid Chain Mounting Plate          |
| 23.      | KE 103   | 820 Lid Chain                     |
| 24.      | KE 234   | 820 Element (220V)                |
| 25.      | KA 117   | 820 Hearth Plate                  |
| 26.      | KB 002   | 820 Grooved Brick                 |
| 27.      | KB 022   | 820 Peephole Brick                |
| 28.      | KB 042   | 820 Half Brick                    |
| 29.      | KB 052   | 820 Kiln-Sitter Brick             |
| 30.      | KB 012   | 820 Terminal Brick                |
| 31.      | KE 341   | 1/8" Standoff                     |
| 32.      | KE 303   | #6 x 1/2" Sheet Metal Screw       |
| 33.      | KA 030   | Peephole Plug                     |
| 34.      | KE 031   | Lid Vent Hole Plug                |
| 35.      | KE 010   | Switch Bracket                    |



DUNCAN CERAMICS  
P.O. BOX 7609  
FRESNO, CA. 93747

ORDER PARTS FROM YOUR AUTHORIZED DUNCAN CERAMICS DISTRIBUTOR.