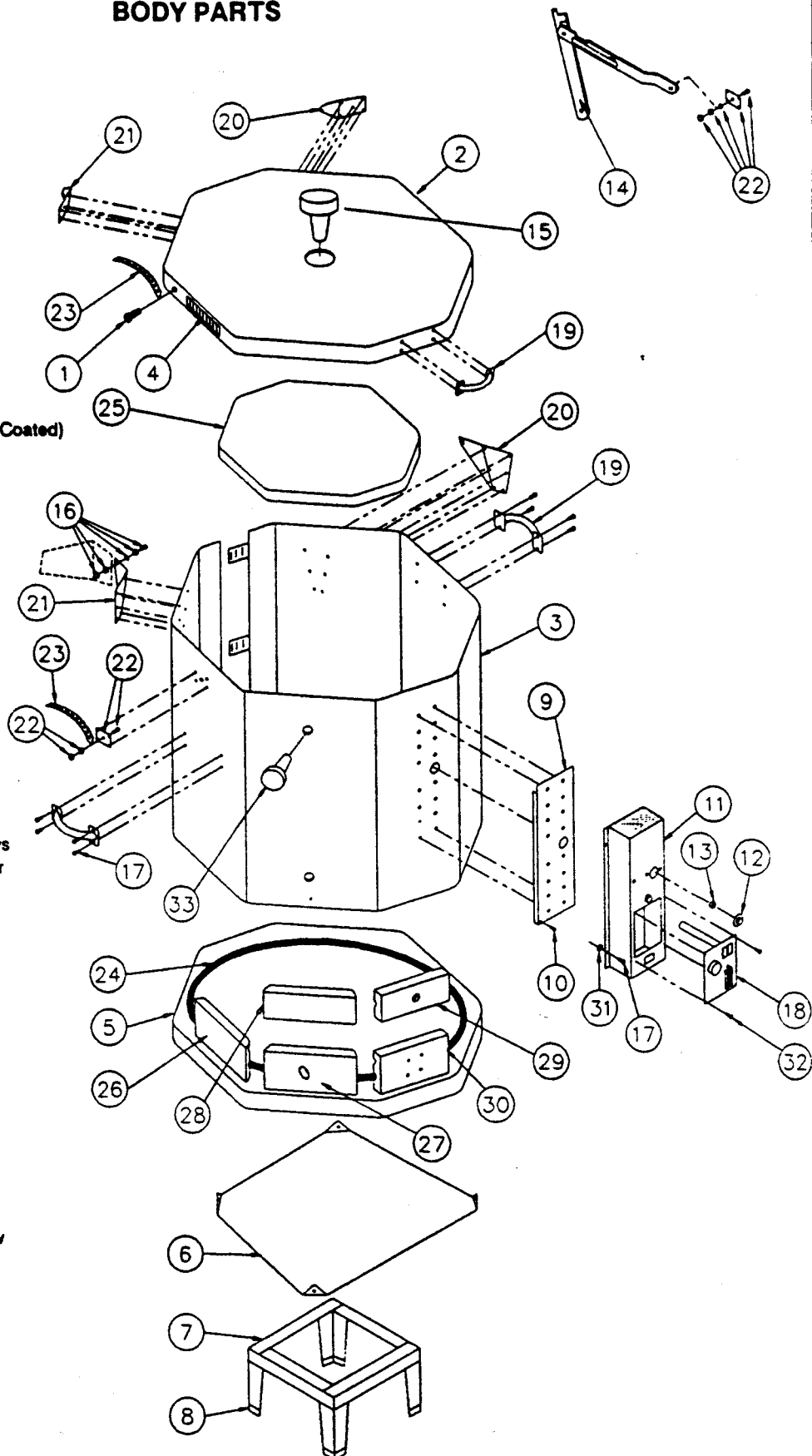


DUNCAN MODELS EA & DA 820-2,-4

BODY PARTS

| REF. NO. | PART NO. | DESCRIPTION |
|----------|------------------------|---|
| 1. | KE 304 | #8-32 x 3/4" Machine Screw |
| 2. | KC 018 OR KC 015 | EA 820 Fiber Lid w/Band DA 820 Brick Lid (Banded & Coated) with Vent Hole. |
| 3. | KC 080 | 820 Case w/Clamps |
| 4. | KE 045 | Fiber Case Clamp |
| 5. | KC 005 OR KC 002 | EA 820 Fiber Bottom DA 820 Brick Bottom |
| 6. | KP 302 | 820 Base Plate |
| 7. | KC 069 | 820 Stand w/Feet |
| 8. | KE 030 | Stand Feet |
| 9. | KP 028 | 820, 1020/29 Heat Shield |
| 10. | KE 302 | #8 x 1" Sheet Metal Screw |
| 11. | KC 058 | 820 Control Panel Shell |
| 12. | KM 319 | EA Switch Knob |
| 13. | KM 302 | Pal Nut |
| 14. | KE 018 | Locking Lid Brace (DA only) |
| 15. | KA 031 | Lid Vent Hole Plug |
| 16. | KC 222 | Hinge Pivot Kit |
| 17. | KE 301 | #8 x 1/2" Sheet Metal Screws |
| 18. | KM 208 | EA Kiln-Sitter w/Safety Timer |
| 19. | KE 009 | Handle |
| 20. | KC 204 | 820 Right Hinge w/ Pivot |
| 21. | KC 214 | 820 Left Hinge w/ Pivot |
| 22. | KC 339 | Lid Chain Mounting Plate |
| 23. | KE 103 | 820 Lid Chain |
| 24. | KE 202 OR KE 212 | 820 Element (240V) 820 Element (208V) |
| 25. | KA 117 | 820 Hearth Plate (EA only) |
| 26. | KB 002 | 820 Grooved Brick |
| 27. | KB 022 | 820 Peephole Brick |
| 28. | KB 042 | 820 Half Brick |
| 29. | KB 052 | 820 Kiln-Sitter Brick |
| 30. | KB 012 | 820 Terminal Brick |
| 31. | KE 341 | 1/8" Standoff |
| 32. | KE 303 | #6 x 1/2" Sheet Metal Screw |
| 33. | KA 030 | Peephole Plug |



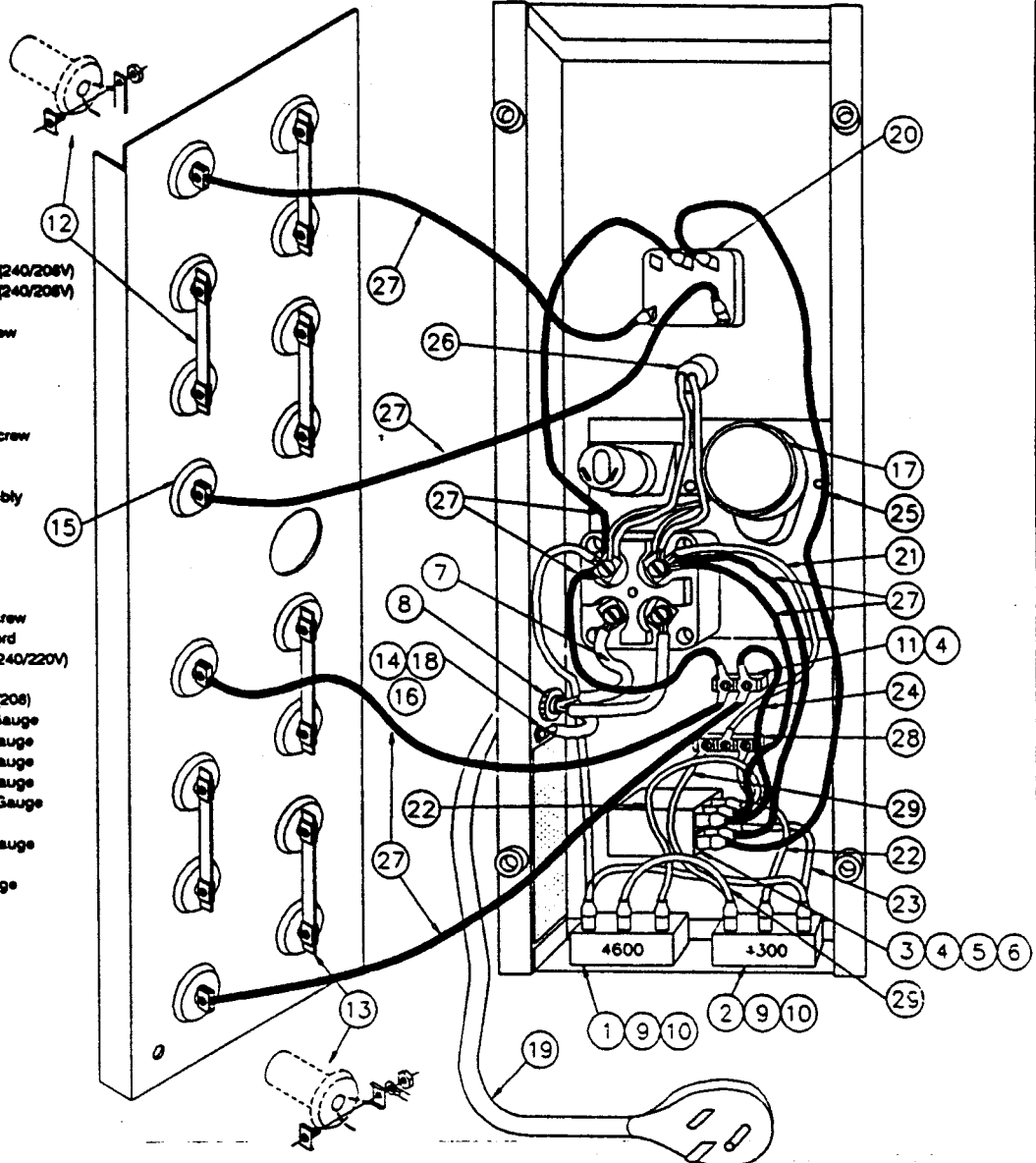
DUNCAN CERAMICS
P.O. BOX 7609
FRESNO, CA. 93747

ORDER PARTS FROM YOUR AUTHORIZED DUNCAN CERAMICS DISTRIBUTOR.

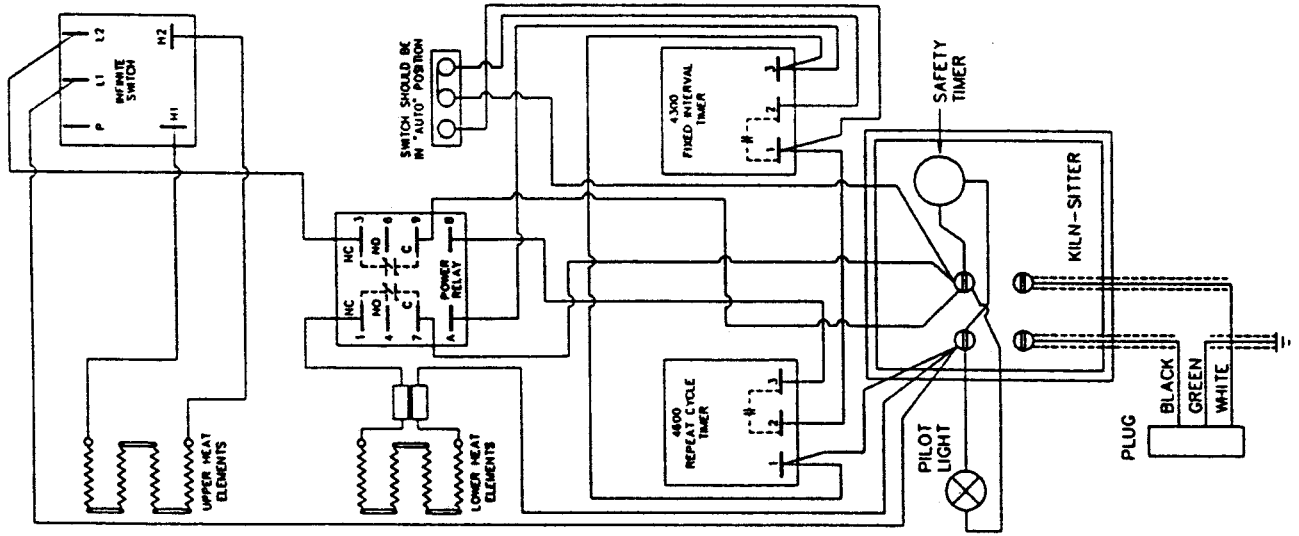
DUNCAN MODELS EA & DA 820 -2,-4

CONTROL PANEL PARTS

| REF. NO. | PART NO. | DESCRIPTION |
|----------|----------|--------------------------------------|
| 1. | KM 326 | 4600 Repeat Cycle Timer (240/208V) |
| 2. | KM 325 | 4300 Fixed Interval Timer (240/208V) |
| 3. | KM 324 | Power Relay (240/208V) |
| 4. | KE 314 | #6-32 X 1/2" Machine Screw |
| 5. | KE 322 | #6 Star Washer |
| 6. | KE 333 | #6-32 Hex Nut |
| 7. | KM 363 | 4" Fiberglass Sleeving |
| 8. | KM 342 | 620, Cord Strain Relief |
| 9. | KE 307 | #8-32 x 1-1/4" Machine Screw |
| 10. | KE 329 | #8-32 Hex Nut w/Washer |
| 11. | KE 088 | 2 Pole Terminal Strip |
| 12. | KC 309 | Standard Buss Bar Assembly |
| 13. | KC 319 | U-Terminal Assembly |
| 14. | KE 332 | #10-32 Hex Nut |
| 15. | KE 080 | Insulator |
| 16. | KE 321 | #10 Star Washer |
| 17. | KM 067 | Timer Motor (60 HZ) |
| 18. | KE 317 | #10-32 x 3/8" Machine Screw |
| 19. | KM 333 | 1020/29 Power Supply Cord |
| 20. | KM 300 | Infinite Switch w/Pal Nut (240/220V) |
| | OR | |
| | KM 301 | Infinite Switch w/Pal Nut (208) |
| 21. | KC 189 | 10' Connecting wire, 16 Gauge |
| 22. | KC 187 | 6' Connecting Wire, 16 Gauge |
| 23. | KC 171 | 10,8,6 Wire Combo, 16 Gauge |
| 24. | KC 177 | 6' Connecting Wire, 12 Gauge |
| 25. | KC 178 | 18' Connecting Wire, 12 Gauge |
| 26. | KC 163 | EA Pilot Light |
| 27. | KC 139 | 9' Connecting Wire, 12 Gauge |
| 28. | KC 361 | 3 Position Switch |
| 29. | KC 173 | 6, 4 Wire Combo, 16 Gauge |



ELECTRICAL SCHEMATIC



208/240 VAC
60 HZ