

WIRING NOTE

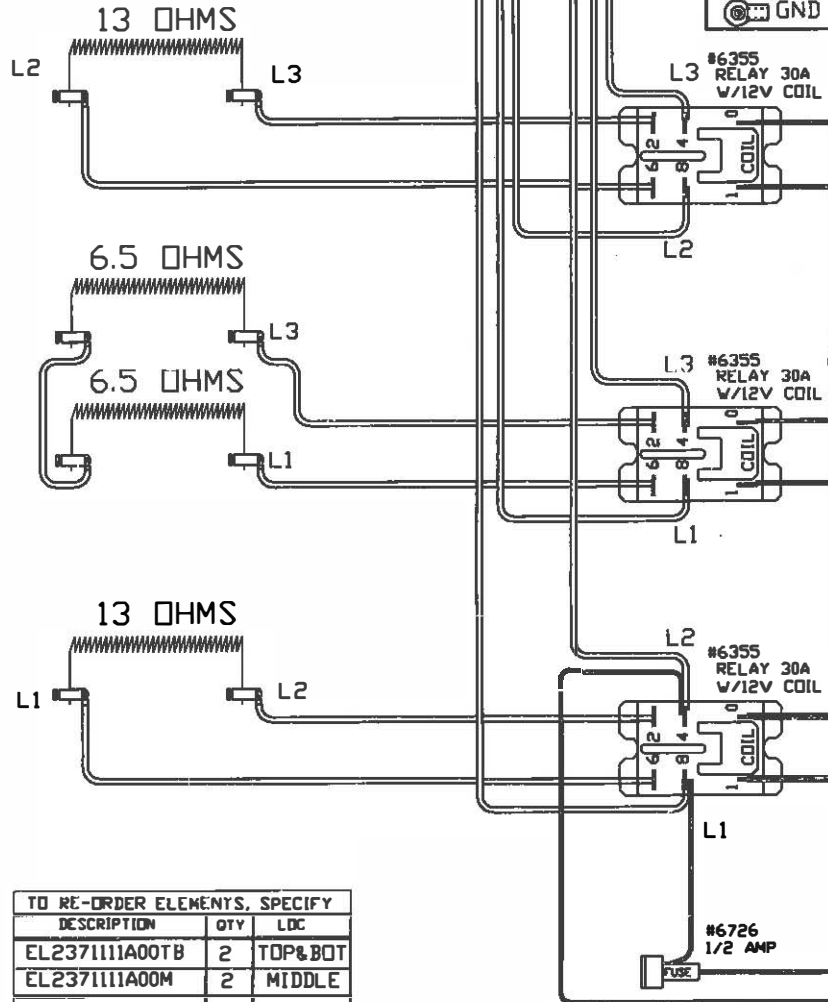
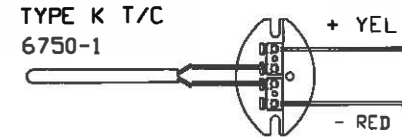
ALL WIRES #14 AWG,
TYPE SEW/SF2 MINIMUM
UNLESS OTHERWISE NOTED

POWER CONN.

POWER REQ'TS
208 VOLTS
3 PHASE
60 HERTZ
26.6 AMPS/LINE
9600 WATTS

CAUTION

TO PROVIDE CONTINUED
PROTECTION AGAINST THE
RISK OF ELECTRIC SHOCK,
CUSTOMER'S POWER
SUPPLY MUST BE
PROPERLY GROUNDED.



CONTROL WIRING NOTE

ALL CONTROL WIRES
#20 AWG #4609
UNLESS OTHERWISE NOTED

#6770 CNTRL
TRANSFORMER
OUTPUT=24VAC

CONE FIRE
SENTRY 2.0

TO RE-ORDER ELEMENTS, SPECIFY		
DESCRIPTION	QTY	LDC
EL2371111A00TB	2	TOP&BOT
EL2371111A00M	2	MIDDLE

NOTE: PLEASE REFER
TO THIS NUMBER WHEN
ORDERING PARTS FOR
THIS KILN

I/C

2350°F

REV	DATE	BY	DESCRIPTION
-	11/18/02	DTB	

SWITCH BOX ASSY- 42023-8

PARAGON INDUSTRIES
2011 SOUTH TOWN EAST BLVD
MESQUITE, TEXAS 75149

WIRING DIAGRAM

208V, 3PHASE D, 60HZ 9600 W

PART NO	REV
2371111A00	-
TNF233	FILE