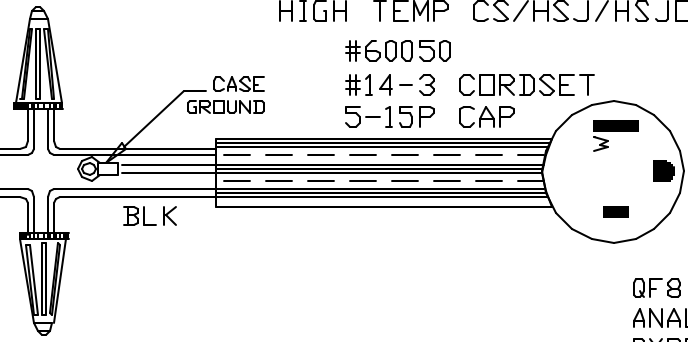


TO RE-ORDER ELEMENTS, SPECIFY		
DESCRIPTION	QTY	LOC
EL04211M3BGAT	2	TOP

HIGH TEMP CS/HSJ/HSJO

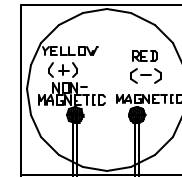
#60050
#14-3 CORDSET
5-15P CAP

POWER REQ'TS
120 VOLTS
1 PHASE
60 HERTZ
14 AMPS
1680 WATTS

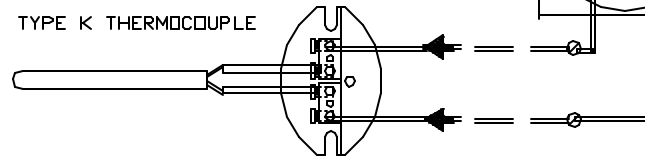


6828
6828-1

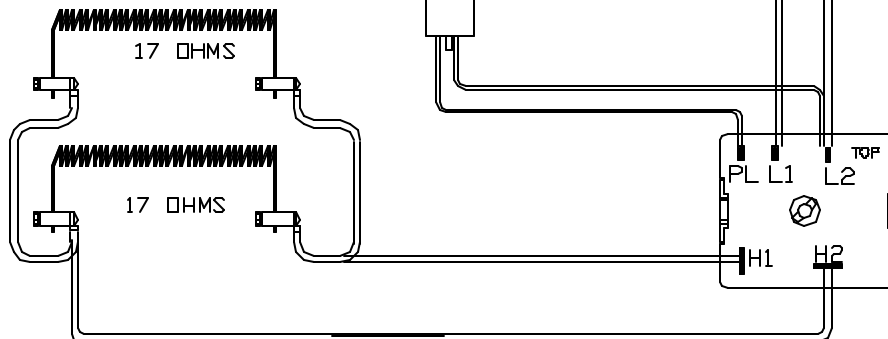
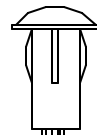
QF8
ANALOG
PYROMETER



#6750-4
TYPE K THERMOCOUPLE



PILOT LIGHT
#4020



#4132
INFINITE
CONTROL
SWITCH
120V

WIRING NOTE

ALL WIRES #14 AWG,
TYPE SEW/SF2 MINIMUM
UNLESS OTHERWISE NOTED

PAINTED
STEEL CASE

1700°F

NOTE: PLEASE REFER
TO THIS NUMBER WHEN
ORDERING PARTS FOR
THIS KILN

SWITCH BOX ASSY- 42014-5

PARAGON INDUSTRIES
2011 SOUTH TOWN EAST BLVD
MESQUITE, TEXAS 75149

WIRING DIAGRAM

120V ,1 PHASE ,50HZ ,1680 WATTS

PART NO 04211M3BGA

BEAD FCE 11X6.5X11D

REV -
FILE