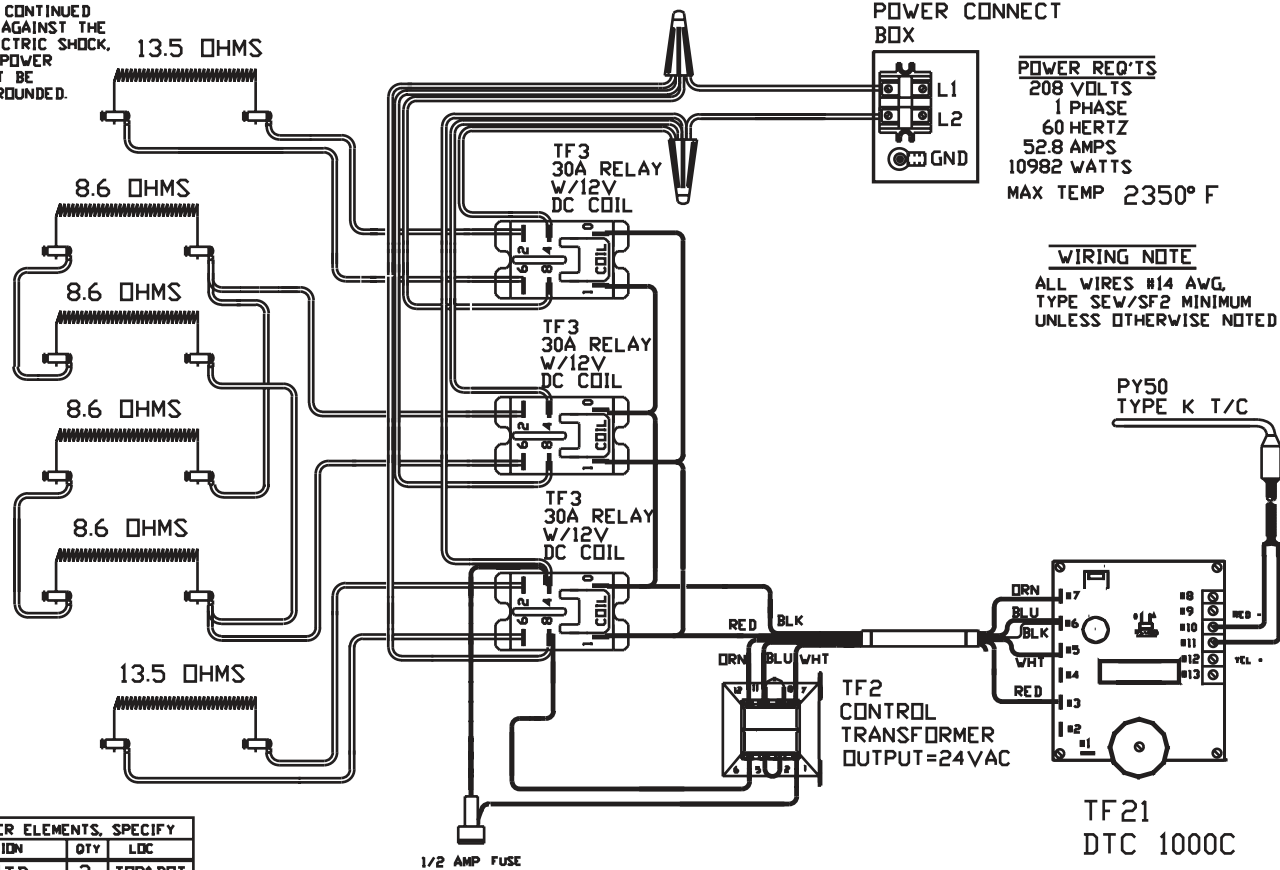


**CAUTION**

TO PROVIDE CONTINUED PROTECTION AGAINST THE RISK OF ELECTRIC SHOCK, CUSTOMER'S POWER SUPPLY MUST BE PROPERLY GROUNDED.



**POWER REQ'TS**  
 208 VOLTS  
 1 PHASE  
 60 HERTZ  
 52.8 AMPS  
 10982 WATTS  
 MAX TEMP 2350° F

**WIRING NOTE**  
 ALL WIRES #14 AWG.  
 TYPE SEW/SF2 MINIMUM  
 UNLESS OTHERWISE NOTED

TO RE-ORDER ELEMENTS, SPECIFY		
DESCRIPTION	QTY	LOC
EL2241111TB	2	TOP&BOT
EL2241111M	4	MIDDLE

COMMENTS	PARAGON INDUSTRIES 2011 SOUTH TOWN EAST BLVD MESQUITE, TEXAS 75149	PRODUCT DESCRIPTION 22.5"DIA, 10 SIDES, 29"DP 208V, 1PH, 60HZ, 52.8A, 10982W	PART NO.	2241111A00	REV	-
			WIRING DIAGRAM			