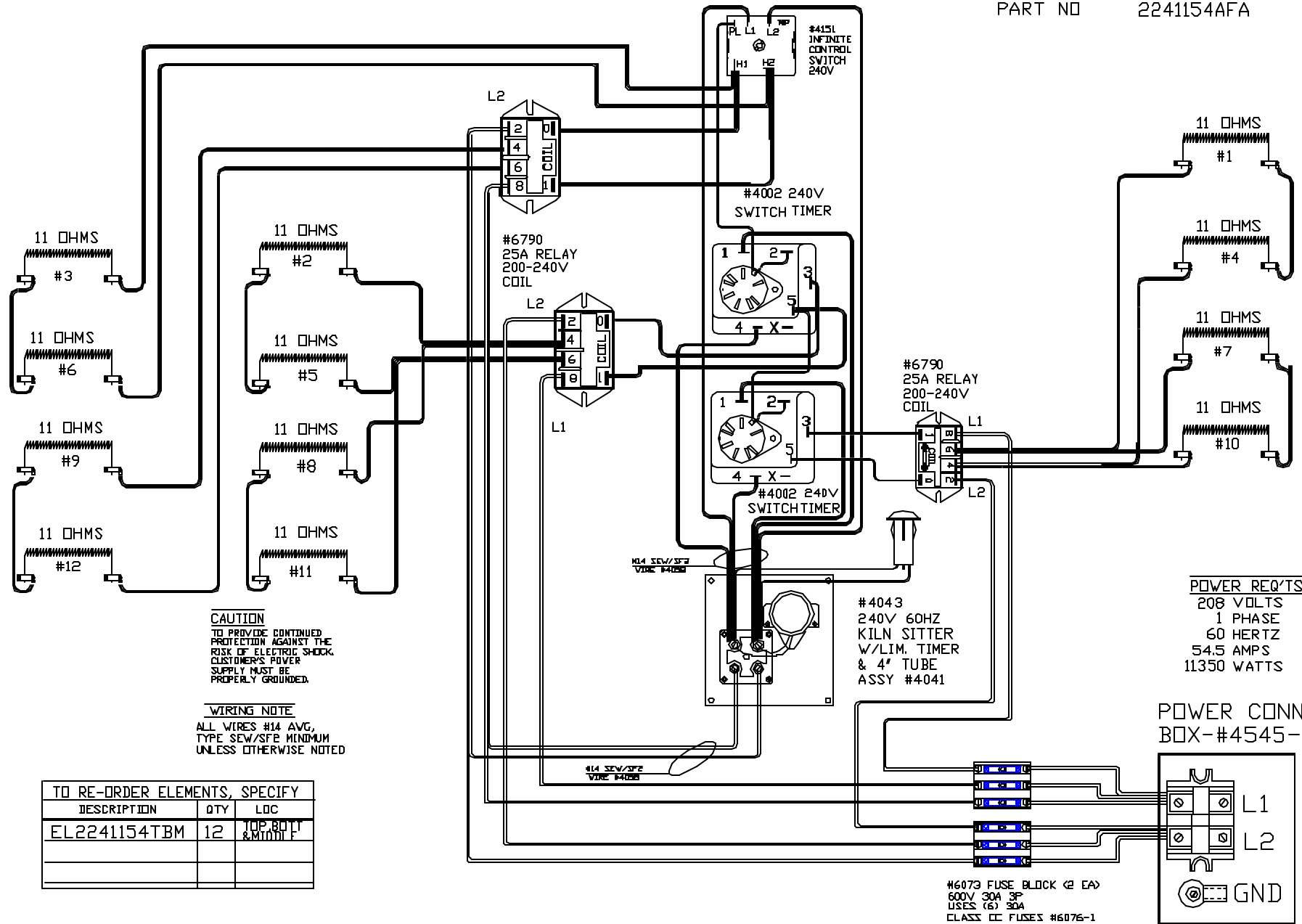


PART NO 2241154AFA



**CAUTION**  
 TO PROVIDE CONTINUED PROTECTION AGAINST THE RISK OF ELECTRIC SHOCK, CUSTOMER'S POWER SUPPLY MUST BE PROPERLY GROUNDED.

**WIRING NOTE**  
 ALL WIRES #14 AVG, TYPE SEW/SFE MINIMUM UNLESS OTHERWISE NOTED

**POWER REQ'TS**  
 208 VOLTS  
 1 PHASE  
 60 HERTZ  
 54.5 AMPS  
 11350 WATTS

**POWER CONN. BOX-#4545-3**

TO RE-ORDER ELEMENTS, SPECIFY		
DESCRIPTION	QTY	LDC
EL2241154TBM	12	TOP BUILT & MOUNT F

#6073 FUSE BLOCK (2 EA)  
 600V 30A 3P  
 USES (6) 30A  
 CLASS CC FUSES #6076-1

I/C

REV	DATE	BY	DESCRIPTION
-	6/16/02	DTB	
A	8/5/02	DTB	CHG ALL WIRING TO 14GA

SWITCH BOX ASSY- 4533-2

WITH "HOT" ELEMENTS

± 2300°F

PARAGON INDUSTRIES  
 2011 SOUTH TOWN EAST BLVD  
 MESQUITE, TEXAS 75149

WIRING DIAGRAM

208V, 1 PHASE, 60HZ, 11350WATTS

PART NO	REV
2241154AFA	A
SNF24-3 W/FUSED EL	FILE