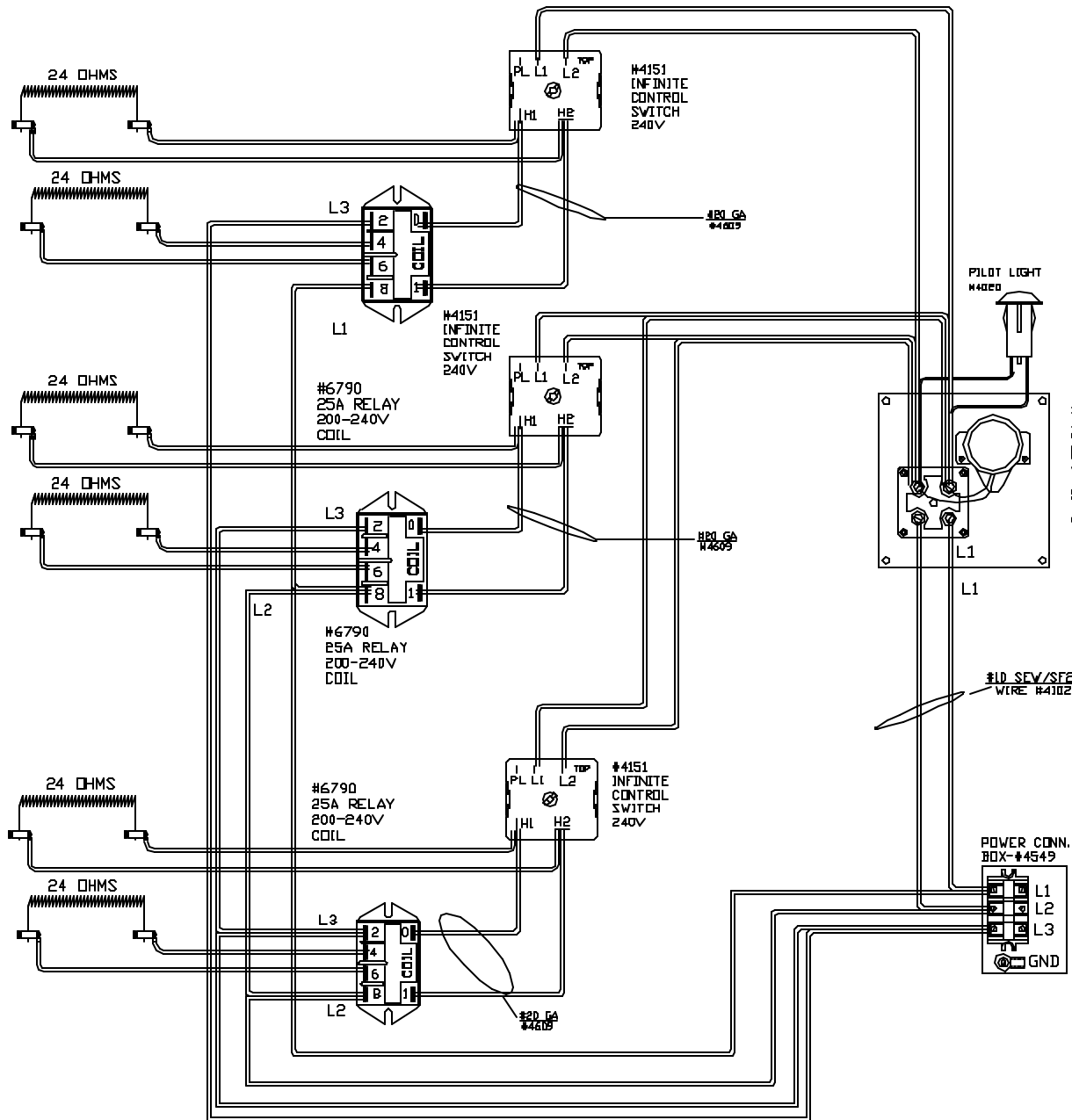


PART NO 2871181AFA



TO RE-ORDER ELEMENTS, SPECIFY		
DESCRIPTION	QTY	LOC
EL2871181AFA	6	TOP, BOT & MID

**CAUTION**  
 TO PROVIDE CONTINUED PROTECTION AGAINST THE RISK OF ELECTRIC SHOCK, CUSTOMER'S POWER SUPPLY MUST BE PROPERLY GROUNDED.

NOTE: GROUNDING SCREW TO HAVE A GREEN COLORED SLOTTED AND/OR HEX HEAD NO SUBSTITUTES. USE #1005

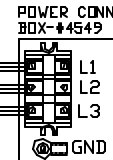
NOTE: THE SURFACE OF THE INSULATED WIRES MARKED ⊗ TO BE COLORED GREEN, WITH OR WITHOUT ONE OR MORE YELLOW STRIPES.

#4043  
 240V 60HZ  
 KILN SITTER  
 W/LIM. TIMER  
 & 4" TUBE  
 ASSY #4041

**WIRING NOTE**

ALL WIRES #14 AWG,  
 TYPE SEW/SF2 MINIMUM  
 UNLESS OTHERWISE NOTED

**POWER REQ'TS**  
 208 VOLTS  
 3 PHASE  
 60 HERTZ  
 38A MAX AMPS  
 10800 WATTS



2150° F

I/C  
 UL/CUL LISTED

NOTE: PLEASE REFER TO THIS NUMBER WHEN ORDERING PARTS FOR THIS KILN

REV	DATE	BY	DESCRIPTION
-	12/16/04	DTB	
A	12/22/04	DTB	TIED BTM REL TO MID REL

SWITCH BOX ASSY- 42042-3

PARAGON INDUSTRIES  
 2011 SOUTH TOWN EAST BLVD  
 MESQUITE, TEXAS 75149

WIRING DIAGRAM

208V, 3 PHASE, 60HZ, 10800WATTS

PART NO.	REV
2871181AFA	A
S283-KSLT	FILE