

#6073 FUSE BLOCK (2 EA)
600V 30A 3P
USES (6) 30A
CLASS CC FUSES #6076-1

POWER CONN.

POWER REQ'TS
208 VOLTS
1 PHASE
60 HERTZ
55 AMPS
11430 WATTS

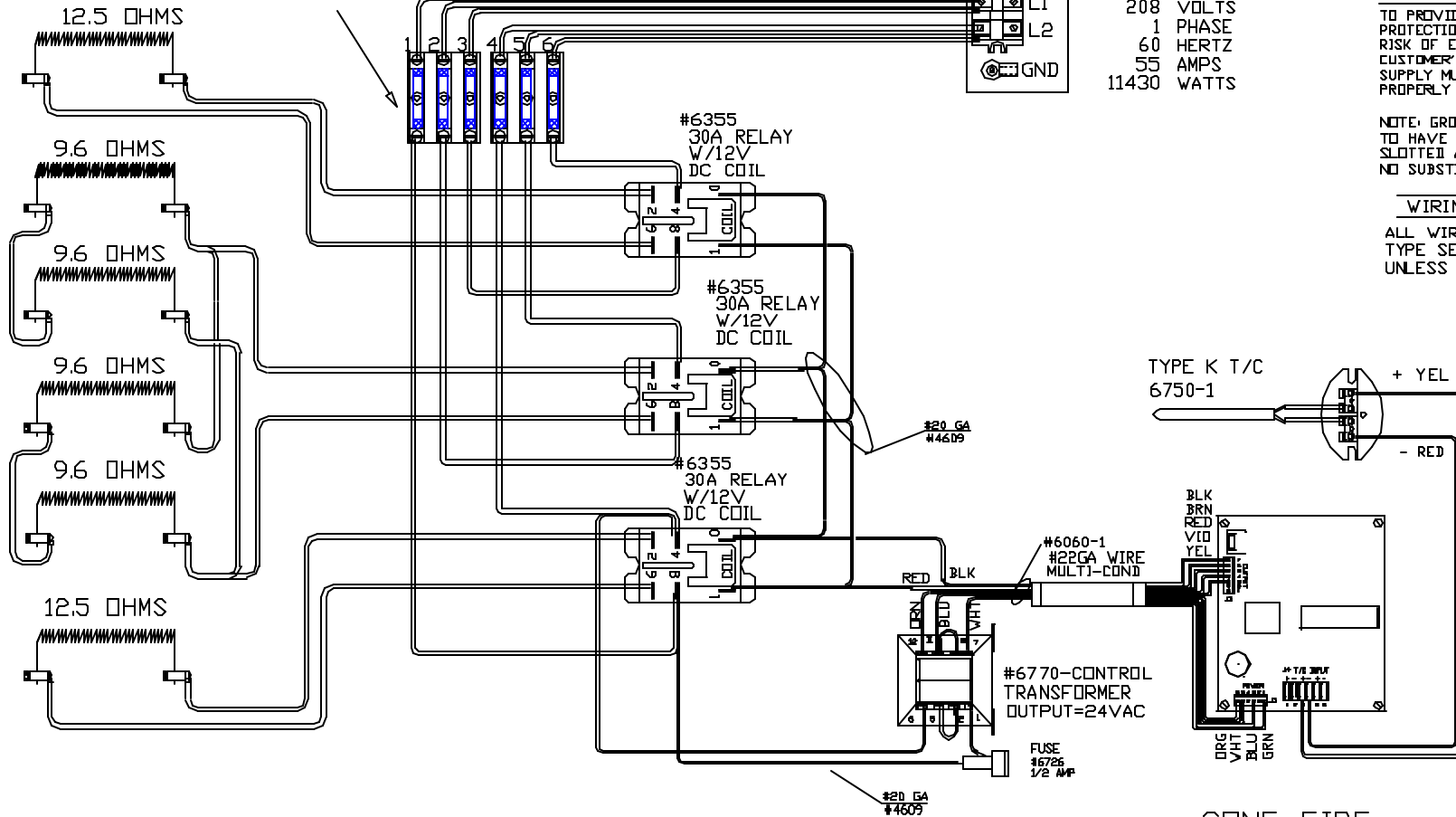
CAUTION

TO PROVIDE CONTINUED PROTECTION AGAINST THE RISK OF ELECTRIC SHOCK, CUSTOMER'S POWER SUPPLY MUST BE PROPERLY GROUNDED.

NOTE: GROUNDING SCREW TO HAVE A GREEN COLORED SLOTTED AND/OR HEX HEAD NO SUBSTITUTES, USE #1005

WIRING NOTE

ALL WIRES #12 AWG, TYPE SEW/SF2 MINIMUM UNLESS OTHERWISE NOTED



CONE FIRE SENTRY 2.0

UL/CUL LISTED

I/C

2150° F

NOTE: PLEASE REFER TO THIS NUMBER WHEN ORDERING PARTS FOR THIS KILN

TO RE-ORDER ELEMENTS, SPECIFY		
DESCRIPTION	QTY	LOC
EL3041111TB	2	TOP&BOT
EL3041111M	4	MIDDLE

REV	DATE	BY	DESCRIPTION
-	4/16/02	DTB	

SWITCH BOX ASSY- 42022-4

PARAGON INDUSTRIES
2011 SOUTH TOWN EAST BLVD
MESQUITE, TEXAS 75149

WIRING DIAGRAM

208V, 1 PHASE, 60HZ, 11430WATTS

PART NO.	REV
304111A00	-
TNF283-SEN-C	