

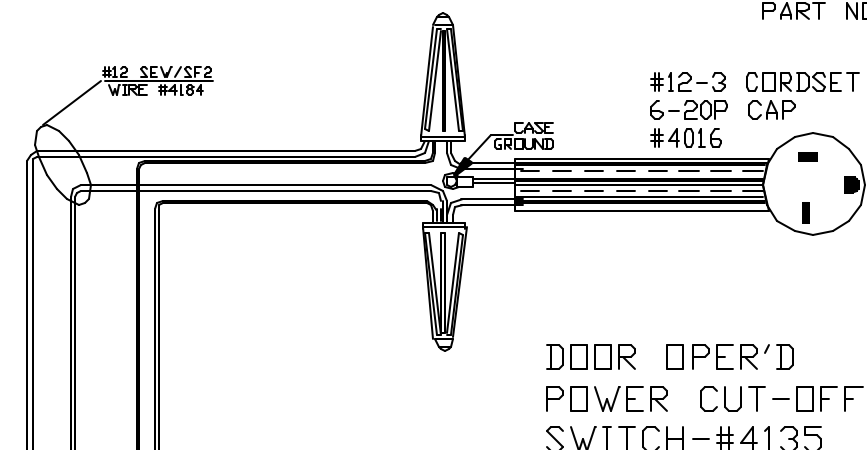
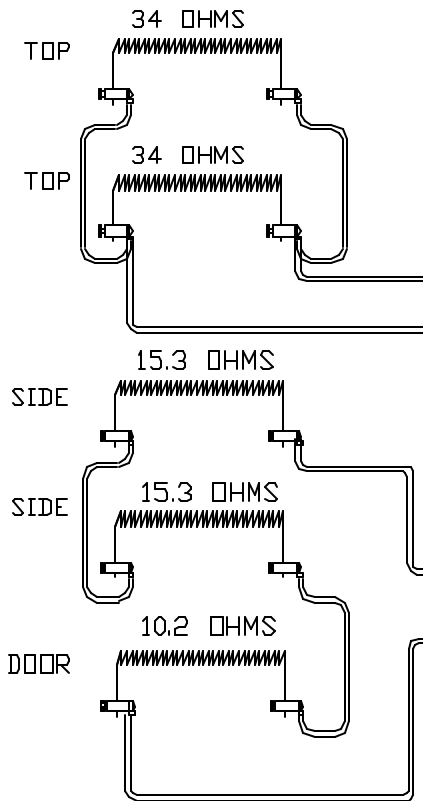
PART NO 7561234DGA

**WIRING NOTE**

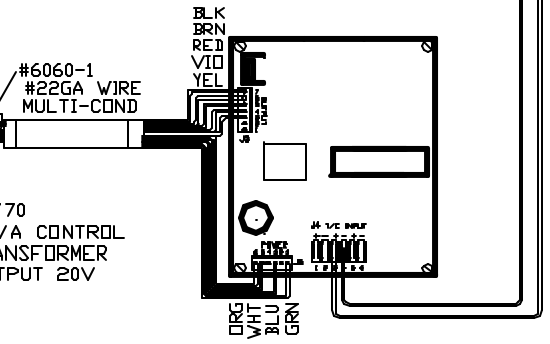
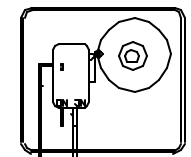
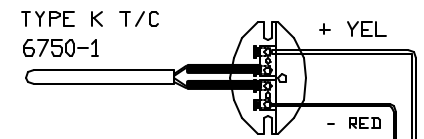
ALL WIRES #14 AWG,  
TYPE SEW/SF2 MINIMUM  
UNLESS OTHERWISE NOTED

#12-3 CORDSET  
6-20P CAP  
#4016

**POWER REQ'TS**  
240 VOLTS  
1 PHASE  
60 HERTZ  
20 AMPS  
4800 WATTS



#6355  
RELAY 30A  
W/12V COIL



1020  
SENTRY 2.0

TO RE-ORDER ELEMENTS, SPECIFY		
DESCRIPTION	QTY	LOC
EL7561234DGAT	2	TOP
EL7561234DGAS	2	SIDE
EL7561234DGAD	1	DOOR

#6344-1  
CONTROL  
POWER  
ON/OFF  
SWITCH  
10AMP 240V

NOTE: PLEASE REFER  
TO THIS NUMBER WHEN  
ORDERING PARTS FOR  
THIS KILN

CFG 5  
PAINTED  
STEEL CASE  
2000°F

REV	DATE	BY	DESCRIPTION
-	3/1/04	DTB	

SWITCH BOX ASSY- 40989-7  
PARAGON INDUSTRIES  
2011 SOUTH TOWN EAST BLVD  
MESQUITE, TEXAS 75149

WIRING DIAGRAM  
240V, 1 PHASE, 60HZ, 4800WATTS

PART NO.	REV
7561234DGA	-
GL18-1020	FILE