

PART NO 7991111A00

POWER CONN.
BOX-#4549

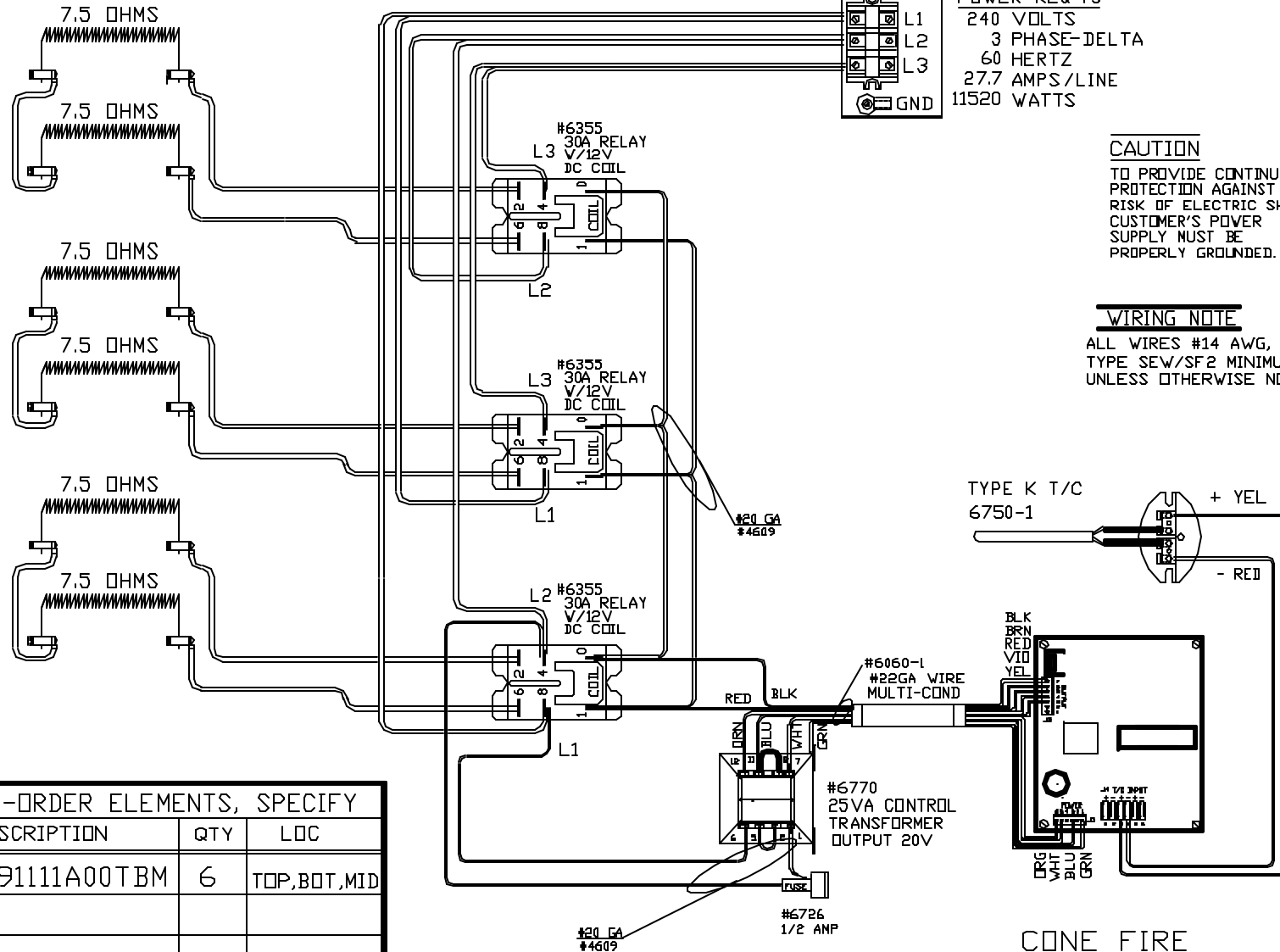
POWER REQ'TS
240 VOLTS
3 PHASE-DELTA
60 HERTZ
27.7 AMPS/LINE
11520 WATTS

CAUTION

TO PROVIDE CONTINUED PROTECTION AGAINST THE RISK OF ELECTRIC SHOCK, CUSTOMER'S POWER SUPPLY MUST BE PROPERLY GROUNDED.

WIRING NOTE

ALL WIRES #14 AWG, TYPE SEW/SF2 MINIMUM UNLESS OTHERWISE NOTED



TO RE-ORDER ELEMENTS, SPECIFY		
DESCRIPTION	QTY	LOC
EL7991111A00TBM	6	TOP,BOT,MID

NOTE: PLEASE REFER TO THIS NUMBER WHEN ORDERING PARTS FOR THIS KILN

REV	DATE	BY	DESCRIPTION
-	5/21/05	DTB	

SWITCH BOX ASSY- 42022-3	PARAGON INDUSTRIES 2011 SOUTH TOWN EAST BLVD MESQUITE, TEXAS 75149	WIRING DIAGRAM	PART NO 7991111A00	REV -
		240V 3PH D 60HZ 11520WATTS	TNF-24-3	FILE