

#6073 FUSE BLOCK (2 EA)
600V 30A 3P
USES (6) 30A
CLASS CC FUSES #6076-1

POWER CONN.
BOX-#4545-3

POWER REQ'TS
208 VOLTS
1 PHASE
60 HERTZ
55 AMPS
11438 WATTS

CAUTION

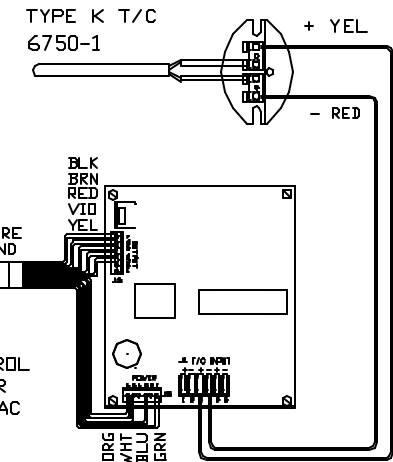
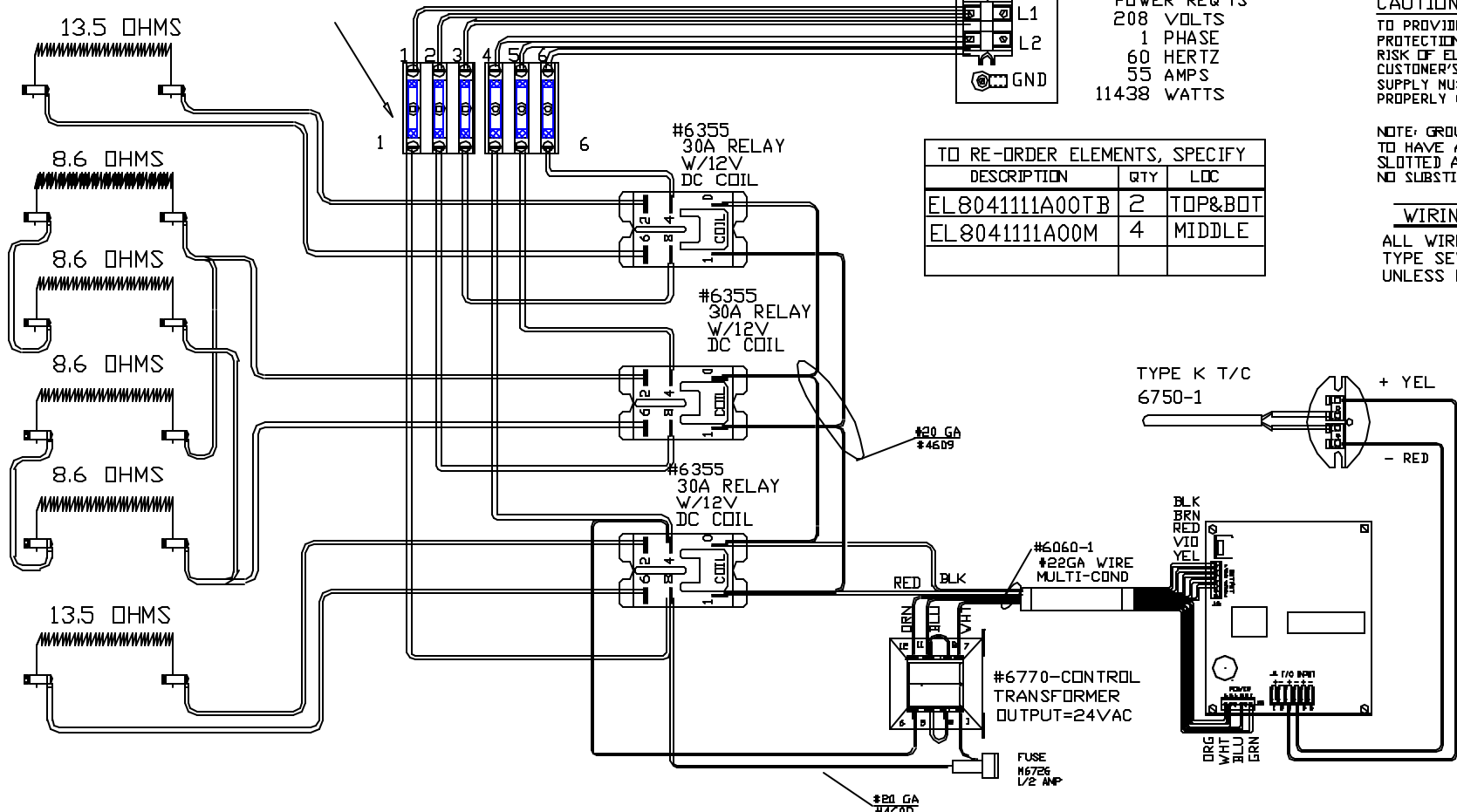
TO PROVIDE CONTINUED PROTECTION AGAINST THE RISK OF ELECTRIC SHOCK, CUSTOMER'S POWER SUPPLY MUST BE PROPERLY GROUNDED.

NOTE: GROUNDING SCREW TO HAVE A GREEN COLORED SLOTTED AND/OR HEX HEAD NO SUBSTITUTES. USE #1005

WIRING NOTE

ALL WIRES #12 AWG, TYPE SEW/SF2 MINIMUM UNLESS OTHERWISE NOTED

TO RE-ORDER ELEMENTS, SPECIFY		
DESCRIPTION	QTY	LOC
EL 804111A00TB	2	TOP&BOT
EL 804111A00M	4	MIDDLE



CONE FIRE SENTRY 2.0

CFG 21
I/C
2300°F

NOTE: PLEASE REFER TO THIS NUMBER WHEN ORDERING PARTS FOR THIS KILN

SWITCH BOX ASSY- 42022-4

PARAGON INDUSTRIES
2011 SOUTH TOWN EAST BLVD
MESQUITE, TEXAS 75149

WIRING DIAGRAM

208V, 1 PHASE, 60HZ, 11438WATTS

PART NO	804111A00	REV	-
	TNF24-SEN-C	FILE	

REV	DATE	BY	DESCRIPTION
-	3/11/05	DTB	