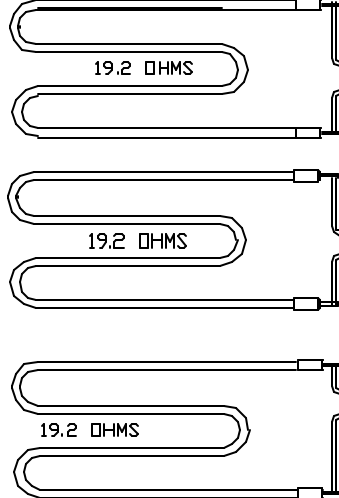


TO RE-ORDER ELEMENTS, SPECIFY		
DESCRIPTION	QTY	LOC
ELS0769	3	BOT

WIRING NOTE

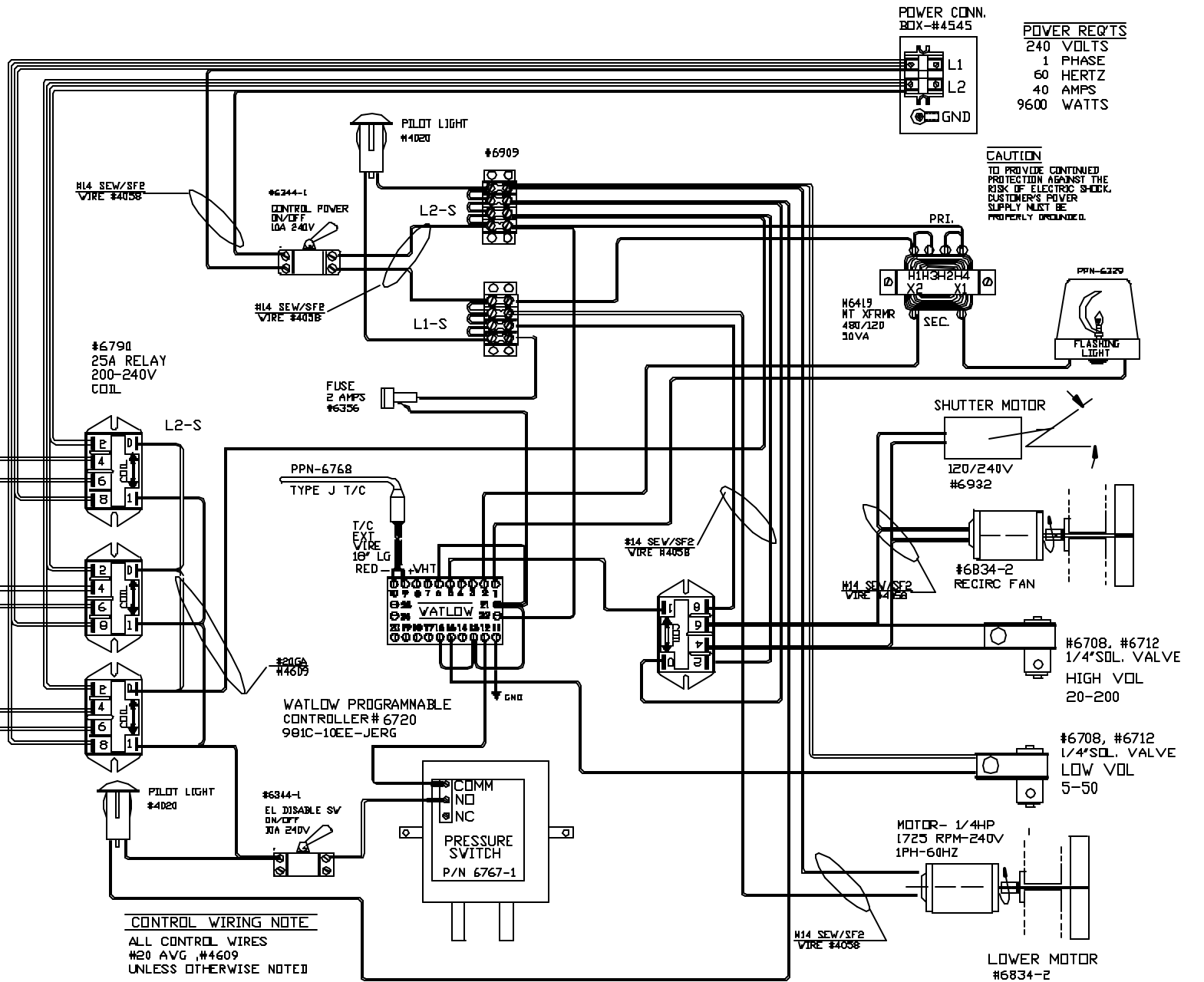
ALL WIRES #14 AVG,
TYPE SEW/SF2 MINIMUM
UNLESS OTHERWISE NOTED



98L CONTROLLER		
OUTPUT	TERM. NO.	FUNCTION
1	13, 12 NC	HEATING
	13, 14 NC	
2	15, 15 NC	ATMOS CONTROL
	16, 17 NC	
3	1, 2-A NC	ALARM
	1, 2-B NC	
4	6, 5 NO	ATMOS CONTROL
	6, 7 NC	

CONTROL WIRING NOTE

ALL CONTROL WIRES
#20 AVG, #4609
UNLESS OTHERWISE NOTED



POWER CONN. BOX-#4545	
L1	
L2	
GND	

POWER REQ'TS	
240 VOLTS	
1 PHASE	
60 HERTZ	
40 AMPS	
9600 WATTS	

CAUTION
TO PROVIDE CONTINUED PROTECTION AGAINST THE RISK OF ELECTRIC SHOCK, CUSTOMER'S POWER SUPPLY MUST BE PROPERLY GROUNDING.

SWITCH BOX ASSY- 42013

AREMCO PRODUCTS, INC.
P.O. BOX 517
707-B EXECUTIVE BLVD
VALLEY COTTAGE, NY 10989

WIRING DIAGRAM

240V, 1 PHASE, 60HZ, 9500WATTS

PART NO.	REV
S0769	-
KL 12x28x17D	FILE

900°F