

TO RE-ORDER ELEMENTS, SPECIFY		
DESCRIPTION	QTY	LOC
ELE14S	2	SIDES

CR14  
#12-3 CORDSET  
6-20P CAP

POWER REQ'TS  
240 VOLTS  
1 PHASE  
60 HERTZ  
13 AMPS  
3120 WATTS

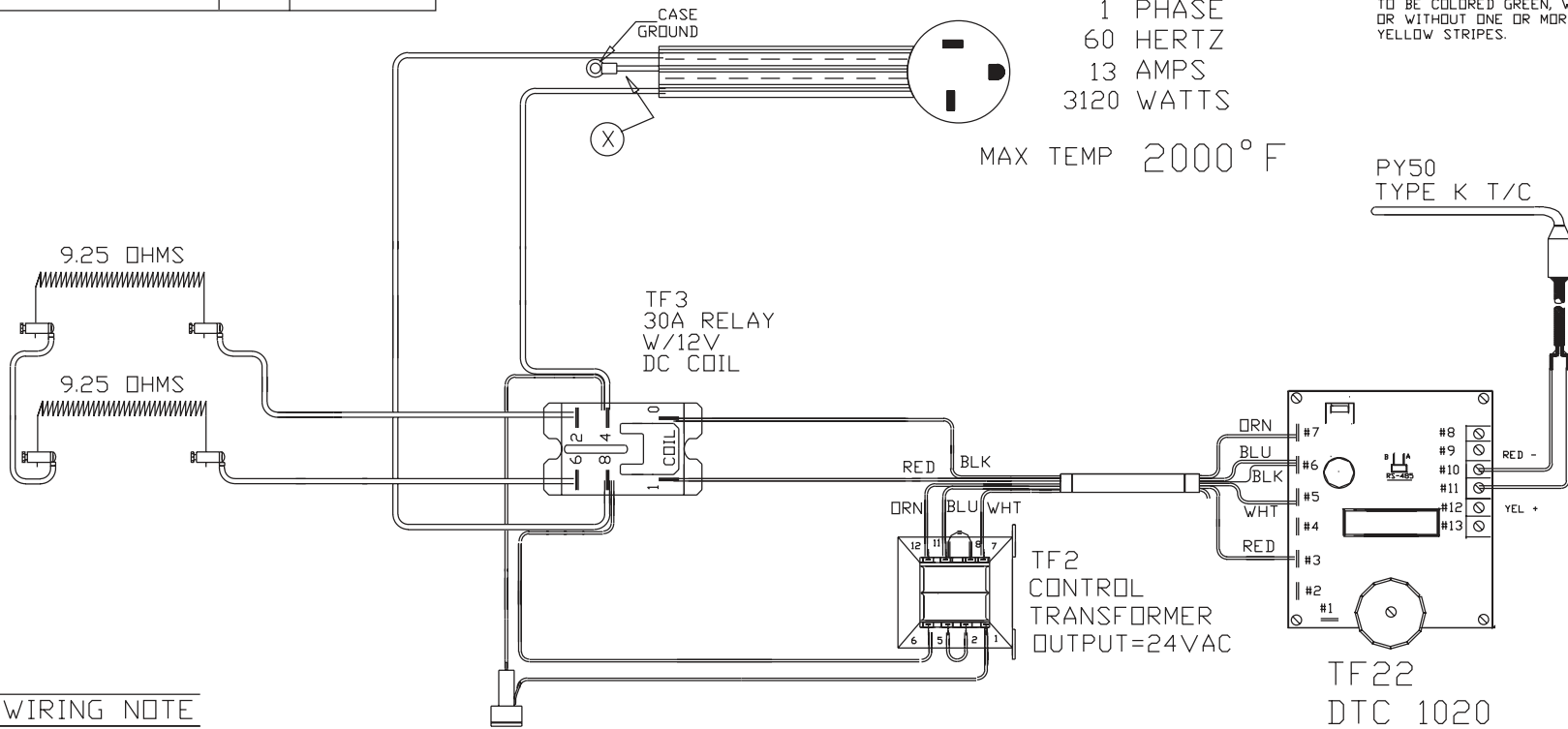
CAUTION

TO PROVIDE CONTINUED PROTECTION AGAINST THE RISK OF ELECTRIC SHOCK, CUSTOMER'S POWER SUPPLY MUST BE PROPERLY GROUNDED.

NOTE: GROUNDING SCREW TO HAVE A GREEN COLORED SLOTTED AND/OR HEX HEAD NO SUBSTITUTES. USE #1005

NOTE: THE SURFACE OF THE INSULATED WIRES MARKED (X) TO BE COLORED GREEN, WITH OR WITHOUT ONE OR MORE YELLOW STRIPES.

MAX TEMP 2000°F



WIRING NOTE

ALL WIRES #14 AWG,  
TYPE SEW/SF2 MINIMUM  
UNLESS OTHERWISE NOTED

UL/CUL LISTED

COMMENTS	PARAGON INDUSTRIES 2011 SOUTH TOWN EAST BLVD MESQUITE, TEXAS 75149	<u>PRODUCT DESCRIPTION</u>	<u>PART NO.</u>	<u>REV</u>
		13"W, 8.75"H, 13.5"DP 240V, 1PH, 60HZ, 13A, 3120W	TNFE14 WIRING DIAGRAM	-