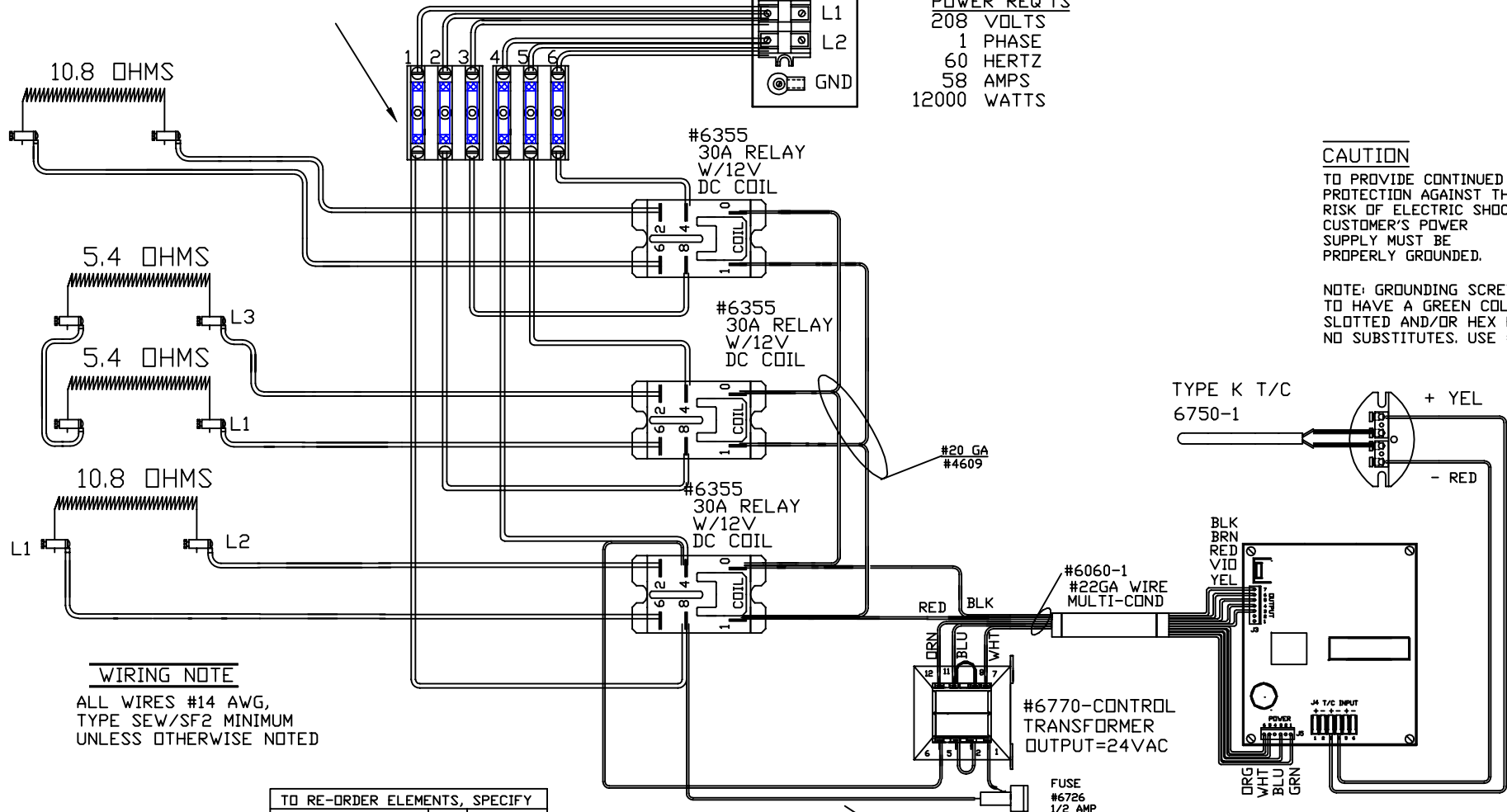


#6073 FUSE BLOCK (2 EA)
600V 30A 3P
USES (6) 30A
CLASS CC FUSES #6076-1

POWER CONN.

POWER REQ'TS
208 VOLTS
1 PHASE
60 HERTZ
58 AMPS
12000 WATTS



CAUTION
TO PROVIDE CONTINUED PROTECTION AGAINST THE RISK OF ELECTRIC SHOCK, CUSTOMER'S POWER SUPPLY MUST BE PROPERLY GROUNDED.

NOTE: GROUNDING SCREW TO HAVE A GREEN COLORED SLOTTED AND/OR HEX HEAD NO SUBSTITUTES. USE #1005

WIRING NOTE

ALL WIRES #14 AWG,
TYPE SEW/SF2 MINIMUM
UNLESS OTHERWISE NOTED

TO RE-ORDER ELEMENTS, SPECIFY		
DESCRIPTION	QTY	LOC
EL2541111TB	2	TOP&BOT
EL2541111M	2	MIDDLE

CONE FIRE SENTRY 2.0

IC

2350°F

REV	DATE	BY	DESCRIPTION
-	4/11/02	DTB	

SWITCH BOX ASSY- 42020-7

PARAGON INDUSTRIES
2011 SOUTH TOWN EAST BLVD
MESQUITE, TEXAS 75149

WIRING DIAGRAM

208V, 1 PHASE, 60HZ, 12000W

PART NO. 254111A00

TNF273-SECT

REV -
FILE